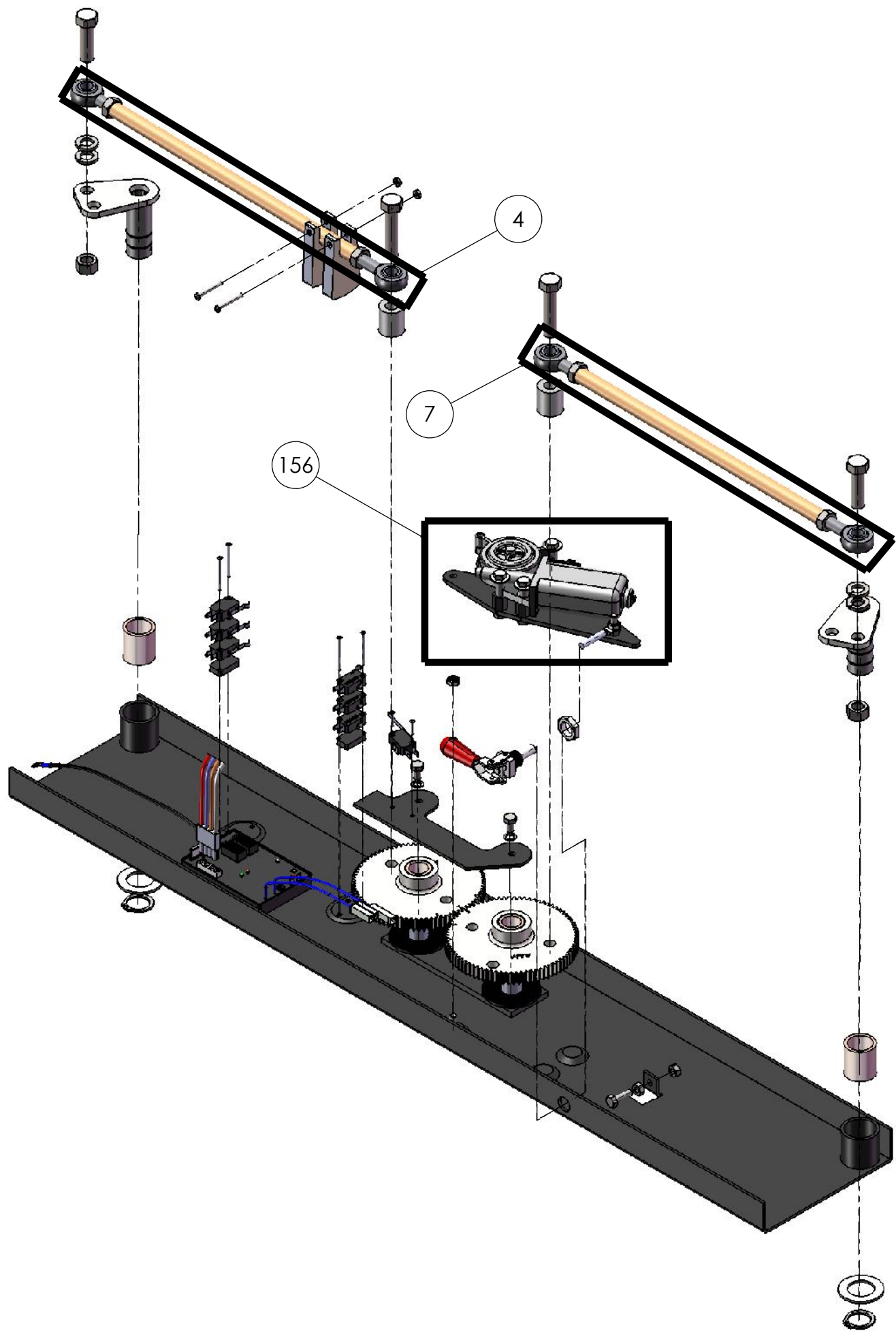
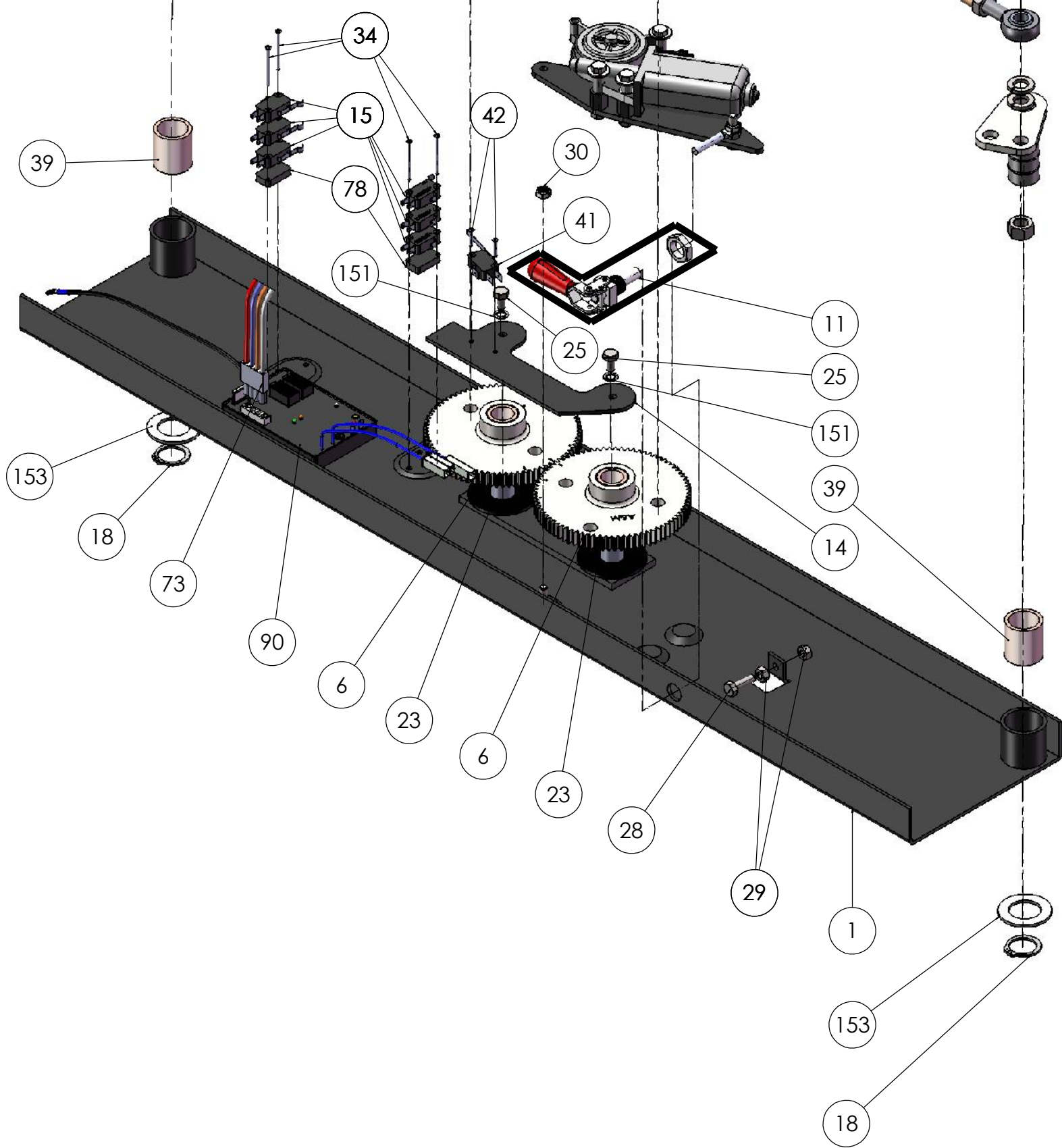


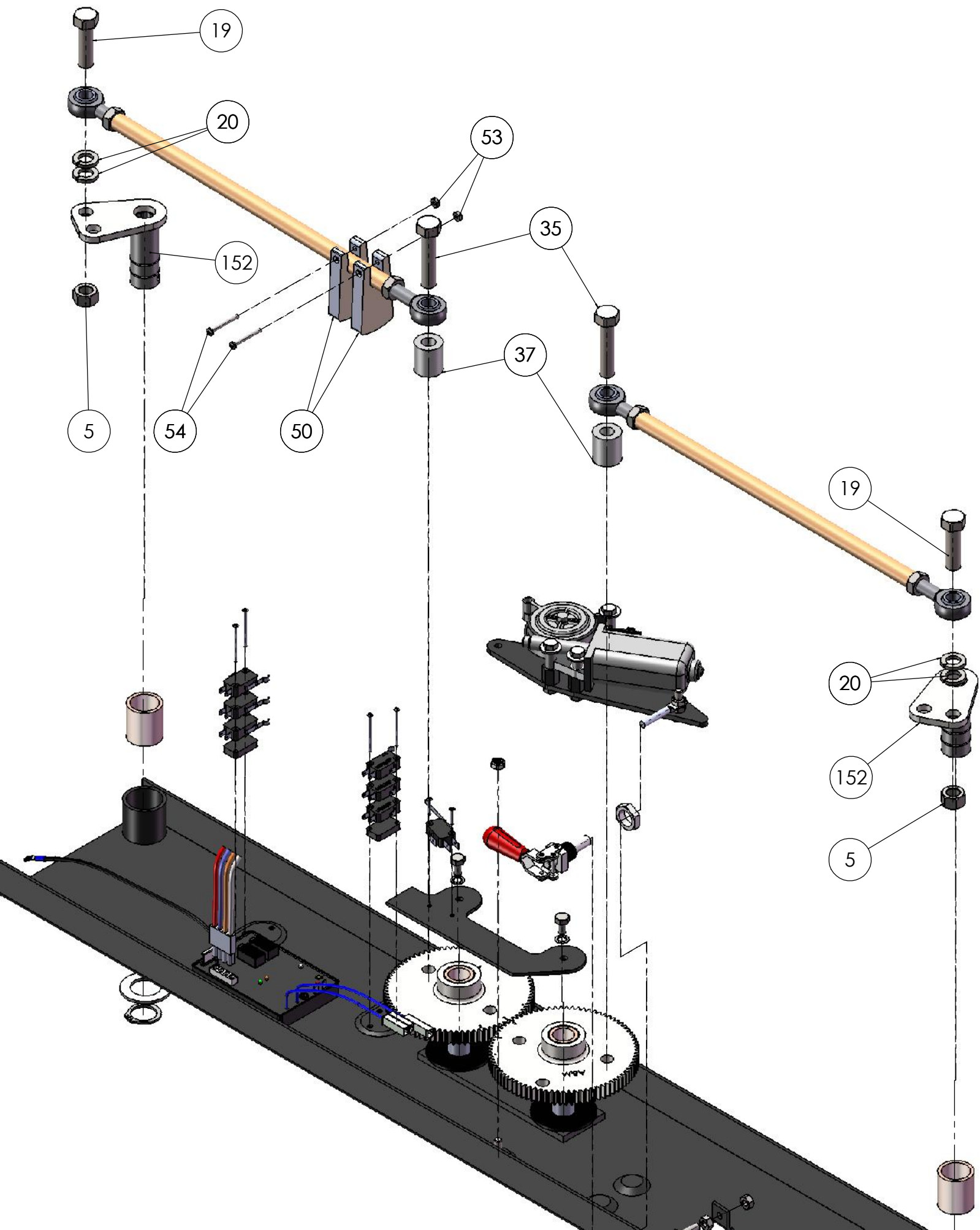
Model: 5339L, 5349L



Index No.	Part No.	Description	No Req'd
1	M1684L-24	5339L Weldment, with bushings	1
1	M1683L-24	5349L Weldment, with bushings	1
2	P100044	Actuator arm, forward	1
4	P100323	5339L Push-pull rod assembly, forward	1
4	P100328	5349L Push-pull rod assembly, forward	1
5	P100022	Nut, 1/2-20 zinc plated	2
6	P100071	Gear, with bushing	2
7	P100323	5339L Push-pull rod assembly, aft	1
7	P100328	5349L Push-pull rod assembly, aft	1
11	P100049	Manual release lever	1
12	P100198	Bolt, hanger, 1/4 flattened end x 2"	1
14	1493	Gear stabilizer	1
15	P100058	Switch, limit	As Req'd
18	P100027	Snap ring, (1" shaft)	2
19	P100005	Bolt, 1/2-20 x 1-3/4" zinc plate grade 5	2
20	P100019	Lock washer, spring type, 1/2"	4
23	1655	Washer, ABS	2
24	P100086	Motor spacer	3
25	P100001	Bolt, 1/4-20 x 1/2"	2
27	1517	Motor mount	1
28	P100003	Bolt, 1/4-20 x 1"	2
29	P100026	Nut, plain, 1/4-20	3
30	P100024	Nut, nylock, 1/4-20	5
34		Screw, 4-40 Round Phillips Head	As Req'd
35	P100006	Bolt, 1/2-20 x 2-1/4"	2
37	1010	Spacer, Rod End	2
38	P100018	Washer, 1/4 SAE Flat Zinc	3
39	P100041	Bushing, bronze	2
41	P100060	Switch, limit, Auto Reverse Only	1
42	P100011	Screw, 4-40 x 5/8" Round Phillips Head	2
50	1654	Switch tab, ABS	As Req'd
53	P100203	Nut, Nyloc, 6-32	As Req'd
54	P100200	Screw, Phillips, Round, 6-32 x 1-1/4"	As Req'd
57	1770	Nylon Standoff, .359" tall	1
73	W3131	Pigtail (optional)	1
78	1560	Switch Spacer	As Req'd
90	P100371	PC Board	1
90	P100546	PC Board	1
140	W2006	Wire, A.R. Null w/ Micro Connection (pair)	1
149	2184	Bolt, Carriage, Square Neck	3
150	P100566	Spacer, .257" ID x .50" D x .625", Nylon	3
151	P100531	Washer, 1/4", serrated, internal	2
152	1980	Actuator Arm, 2 in 1 Assembly, Weldment	2
153	P100409	Washer, 1.5" OD x 1" ID, 3/64" Thick	2
154	P100391	Motor, Left Hand, PTK111	1
155	1792	Motor Mount, PTK	1
156	P100379	Motor Assembly, PTK	1
156	P100595	Motor, Left Hand, MX	1
157	P100604	Motor Assembly, Left Hand, MX	1







# P100379 Motor Assembly

