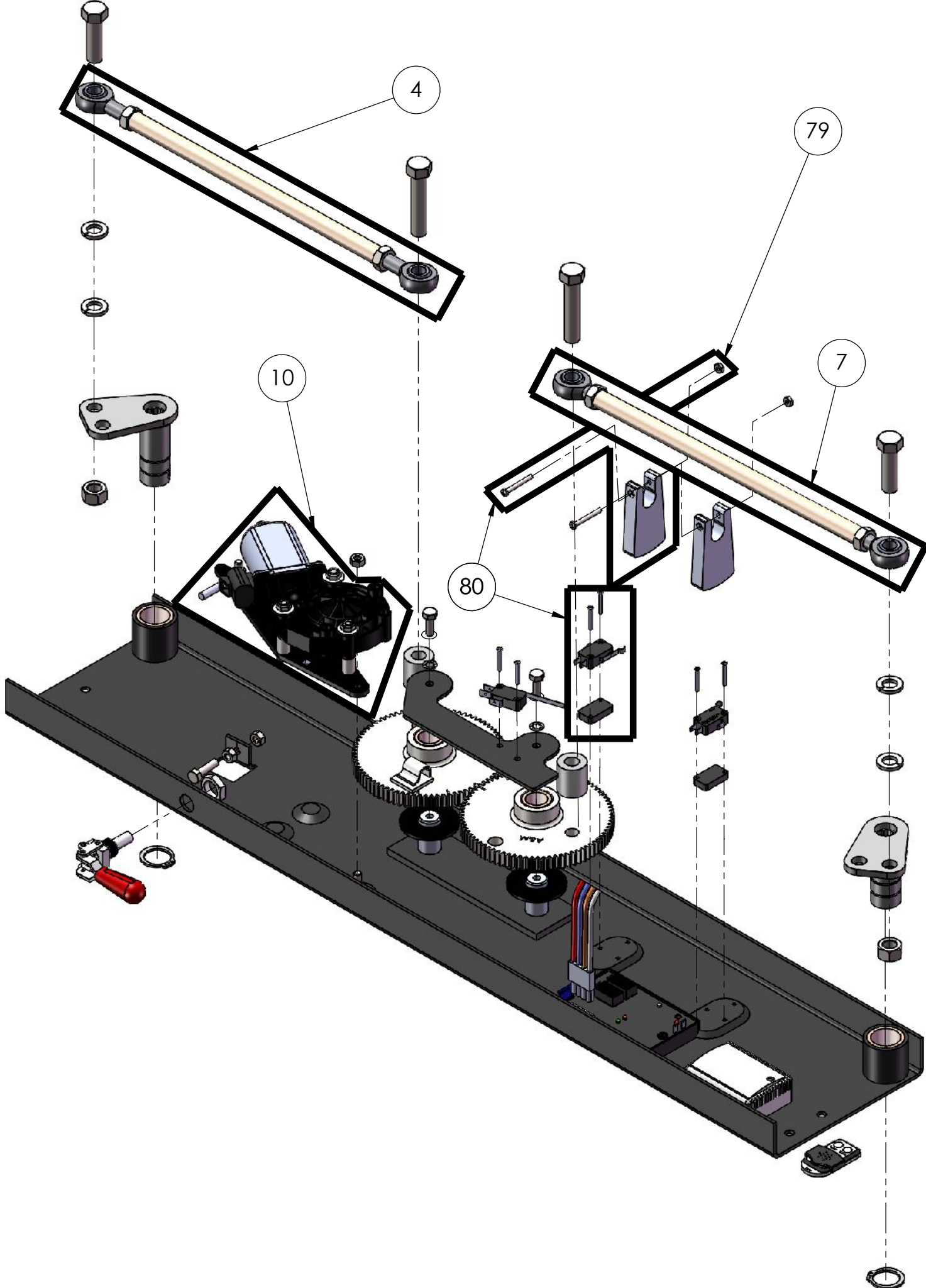
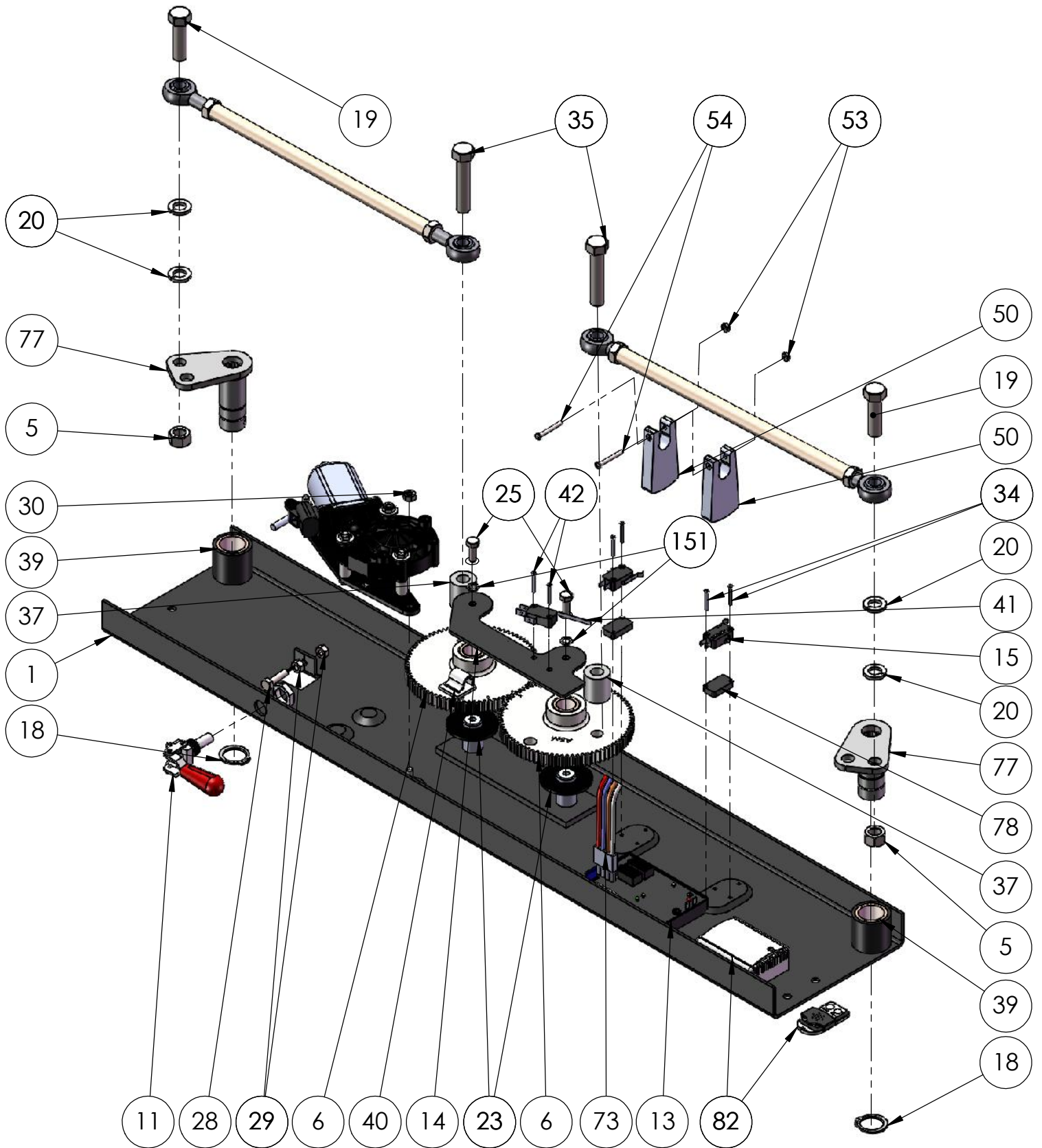


Model: 6232, 6234

Index No.	Part No.	Description	No Req'd
1	M1704-24	6232 Base plate weldment, with bushings	1
1	M1711-24	6234 Base plate weldment, with bushings	1
4	P100319	6232 Push-pull rod assembly, forward	1
4	P100321	6234 Push-pull rod assembly, forward	1
5	P100022	Nut, 1/2-20 zinc plated	2
6	P100071	Gear, with bushing	2
7	P100318	6232 Push-pull rod assembly, aft	1
7	P100321	6234 Push-pull rod assembly, aft	1
9	P100340	Placard, warning	1
10	P100217	Motor assembly	1
11	P100049	Emergency release lever	1
13	P100631	PC board, 12v Signal	1
13	P100622	PC board, Ground Signal	
14	1493	Gear stabilizer (2129, 2133, 2133.1, 2133.2, 2133.3 only)	1
15	P100058	Switch, limit	As Req'd
18	P100027	Snap ring, (1" shaft)	2
19	P100005	Bolt, 1/2-20 x 1-3/4" zinc plate grade 5	2
20	P100019	Lock washer, spring type, 1/2"	4
23	2767	Fiber washer	2
24	P100086	Motor spacer	3
25	P100001	Bolt, 1/4-20 x 1/2"	5
26	P100004	Bolt, 1/4-20 x 1-3/8"	3
34		Screw, 4-40 Round Phillips Head	As Req'd
35	P100006	Bolt, 1/2-20 x 2-1/4"	2
37	1010	Spacer, Rod End	2
39	P100041	Bushing, bronze	2
40	P100056	Wire Clip	1
41	P100060	Switch, limit, Auto Reverse Only	1
42	P100011	Screw, 4-40 x 5/8" Round Phillips Head	2
43	P100331	Nut, Nylock, 4-40	2
50	1654	Switch tab, ABS	1
51	P100007	Bolt, 1/4-20x1/2 Serrated Head	2
53	P100203	Nut, Nyloc, 6-32	2
54	P100200	Screw, Phillips, Round, 6-32 x 1-1/4"	1
61	P100062	Set Screw, 1/4"-20	2
73	W3131	Pigtail (optional)	1
77	2575	Actuator Arm, 2 in 1	2
78	1560	Switch Spacer	As Req'd
79	K9038	Switch Tab Kit	
80	K9037	Switch Tab and Switch Kit	
82	K9123	Remote - 2 Key FOB (optional)	





ITEM NO.	PART NUMBER	Description	QTY.
12	P100198	Hanger Bolt	1
27	1517	Motor Mount	1
28	P100003	Bolt, 1/4-20 x 1"	1
29	P100026	Nut, Hex, 1/4-20	1
30	P100408	Nut, Nylock, 1/4-20	4
36	P100047	Motor	1
38	P100018	Washer	3
149	2184	Carriage Bolt	3
150	P100566	Spacer, Nylon .257" ID, 1/2" OD, 5/8" Long	3

