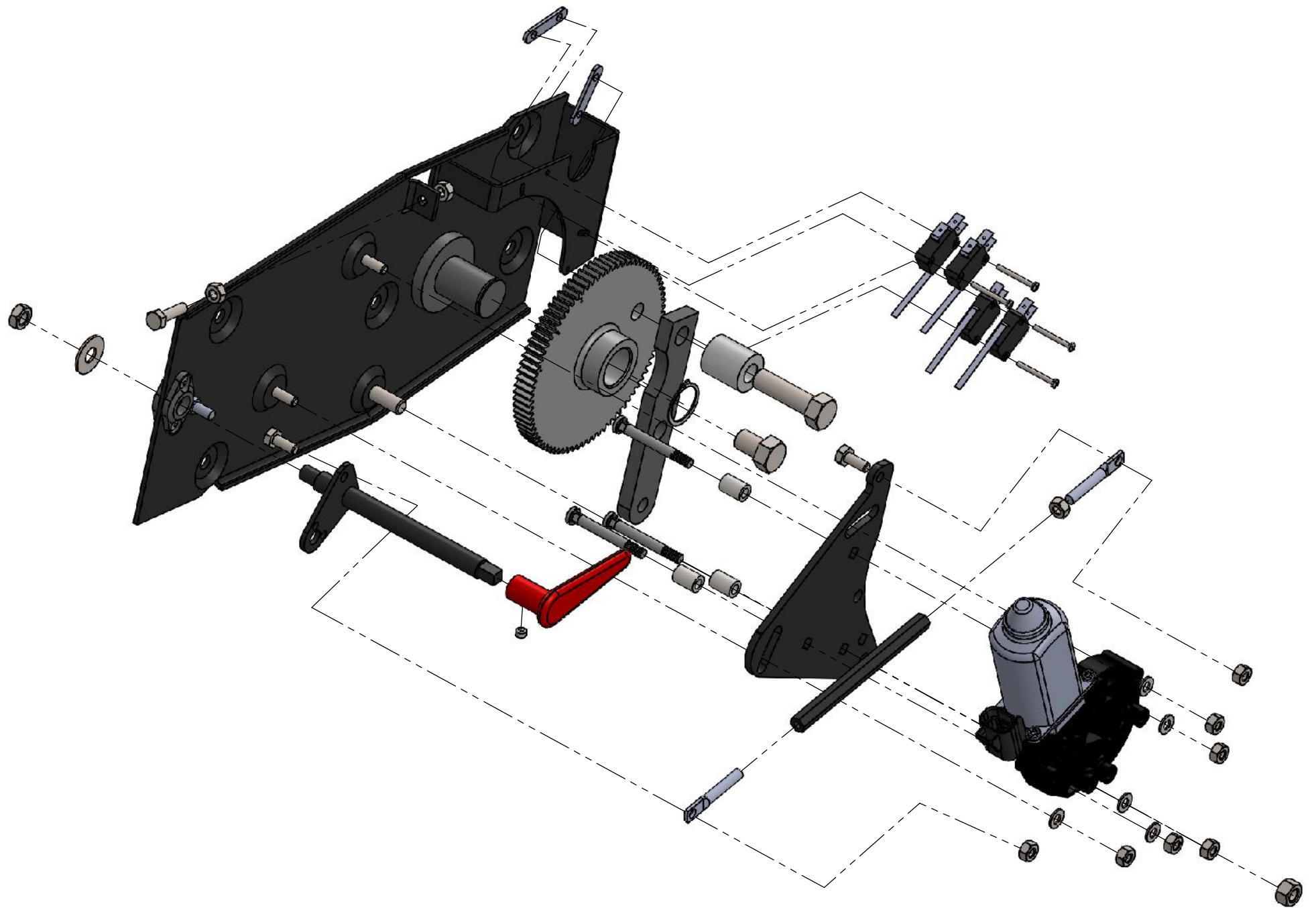
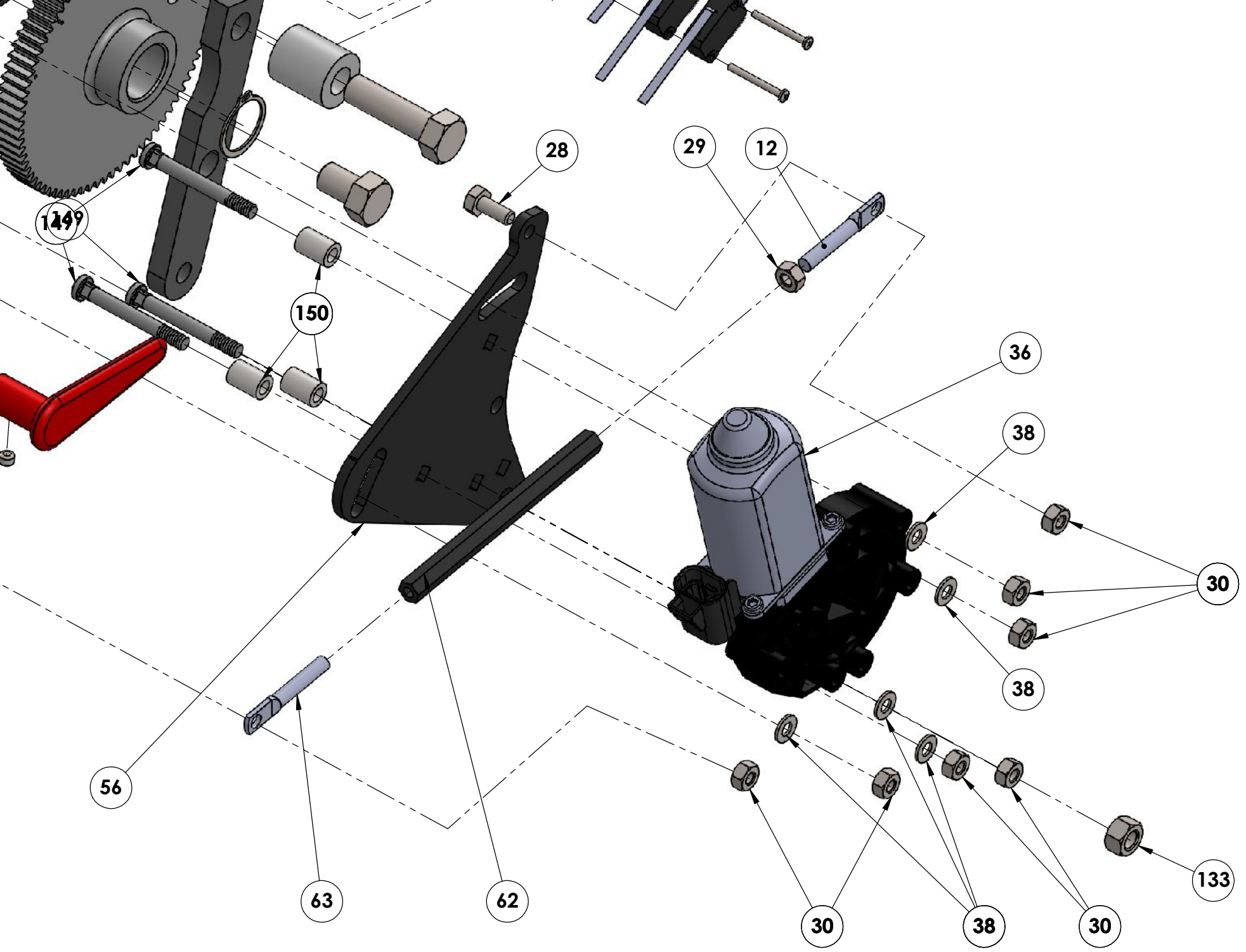


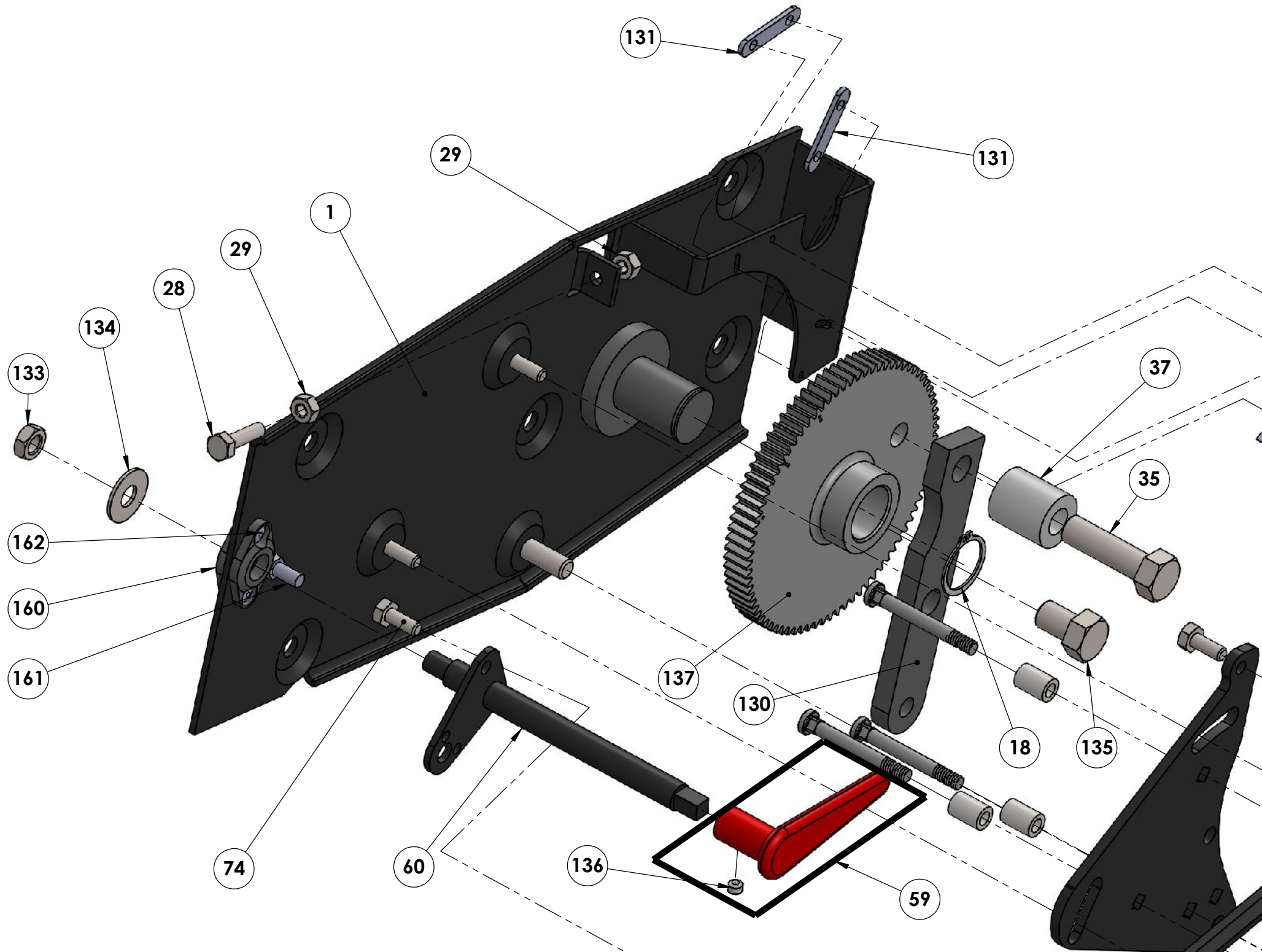


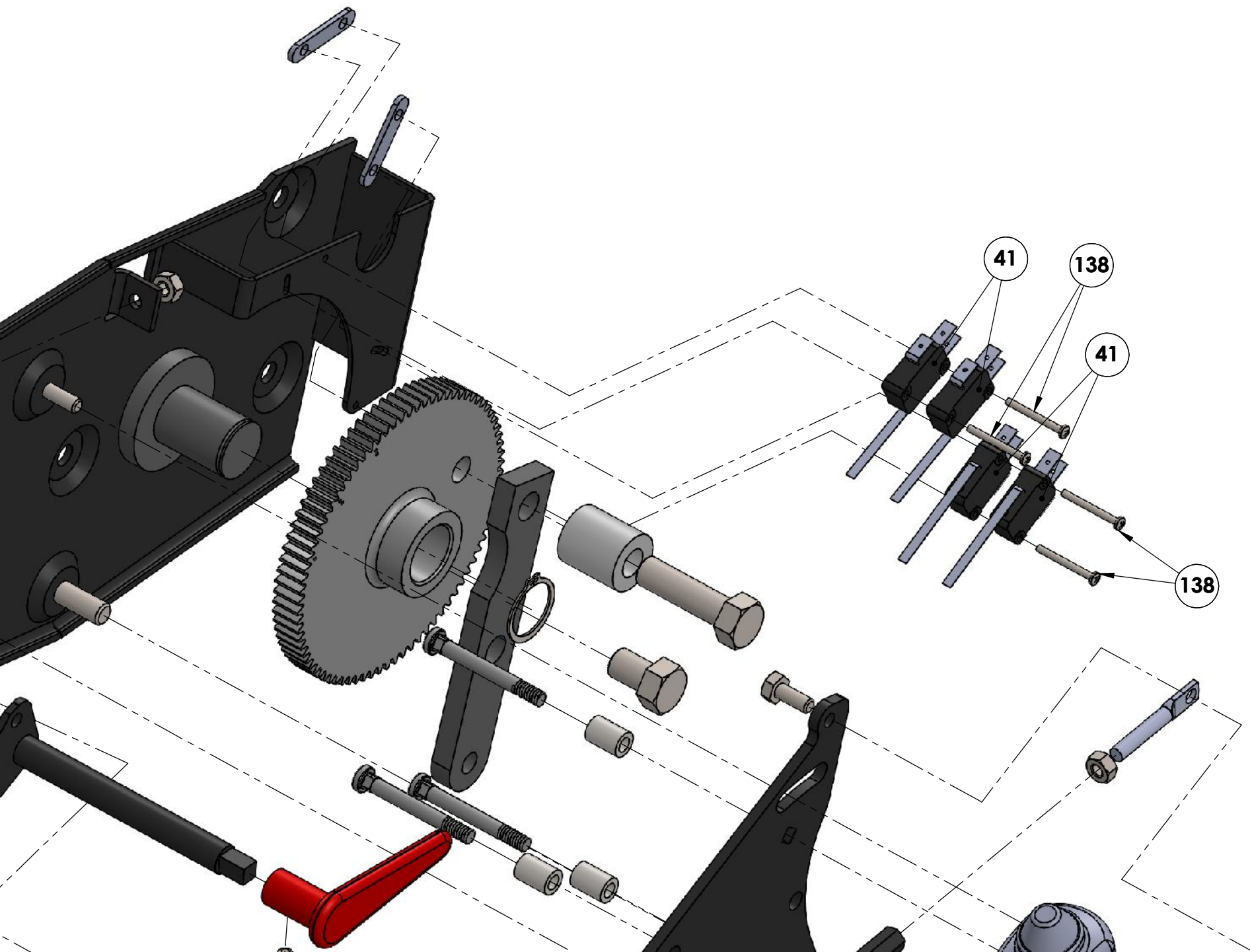
Model: 4000

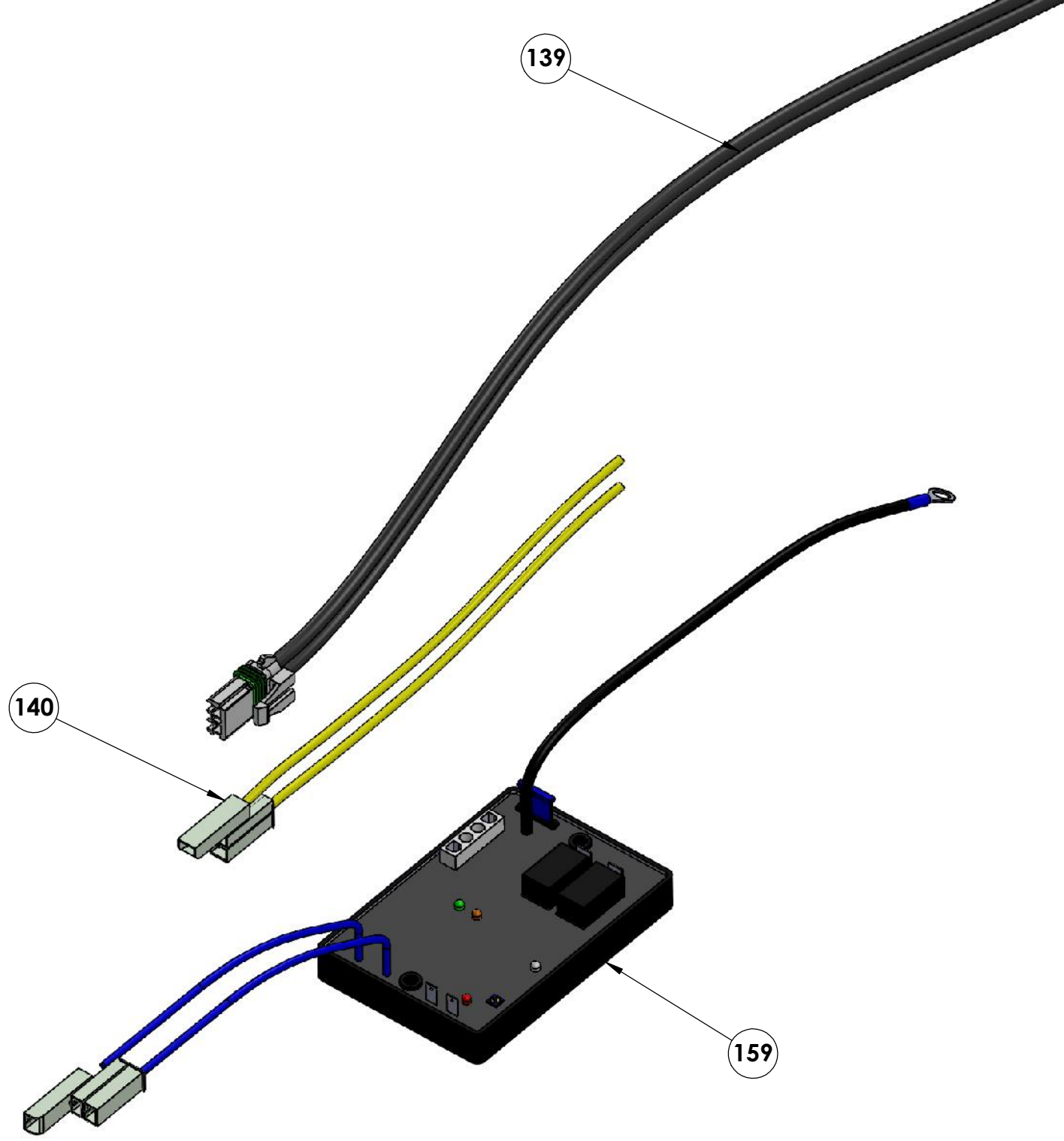
Index No.	Part No.	Description	No Req'd
1	M1649-23	4000 Base plate weldment	1
12	P100198	Bolt, hanger, 1/4 flattened end x 2", RH	1
18	P100027	Snap ring, (1" shaft)	1
28	P100003	Bolt, 1/4-20 x 1"	2
29	P100026	Nut, plain, 1/4-20	3
30	P100024	Nut, nylock, 1/4-20	8
35	P100006	Bolt, 1/2-20 x 2-1/4"	1
36	P100047	Motor	1
37	1010	Spacer	1
38	P100018	Washer, 1/4 SAE Flat Zinc	5
40	P100056	Wire Clip	1
41	P100060	Switch, limit, long arm	4
56	1933	Motor Mount	1
59	P100315	Manual Release Handle	1
60	1752	Manual Release Shaft w/ Attachment	1
62	1934	Turnbuckle, 1/4"-20, 4.75" OAL	1
63	P100283	Bolt, Hanger, 1/4" flattened end x 2", LH	1
74	P100346	Bolt, 1/4-20 x 5/8"	1
130	1923	Arm, Gear pivot	1
131	1930	Nut Plate	2
132	P100483	Bolt, button head, 1/4-20 x 1/2"	1
133	P100484	Nut, 3/8-16, nyloc nut, thin	2
134	P100485	Washer, 3/8 SAE	1
135	P100486	Bolt, 1/2-20 x 1"	1
136	P100487	Set Screw, 5/16-18	1
137	P100488	Gear, 5" d.p. 1" ID bushing, 2x 1/2-20 holes	1
138	P100009	Screw, 4-40 x 1.25"	4
139	W2001	Wire Motor lead	1
140	W2006	Wire, Auto Reopen Null	1
141	W3131	Pigail, PC Board	1
149	2184	Bolt, Carriage, Square Neck	3
150	P100566	Spacer, .257" ID x .50" D x .625", Nylon	3
159	P100546	PC Control Board	1
160	2380	Manual Release Mount	2
161	2381	Manual Release Stop Pin	1
162	P100350	Rivet, 3/16 x .415 Blind	2











139

140

159