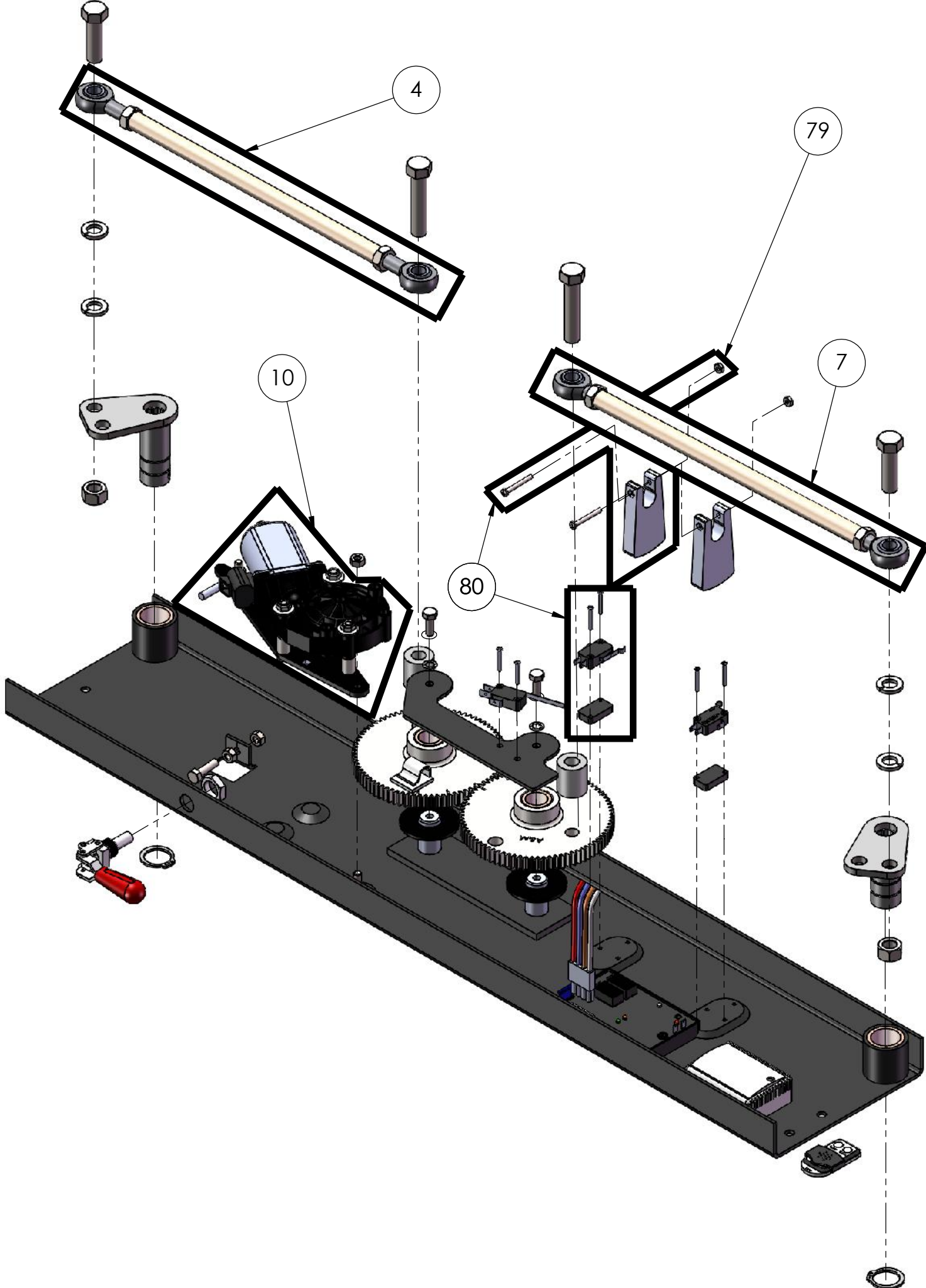
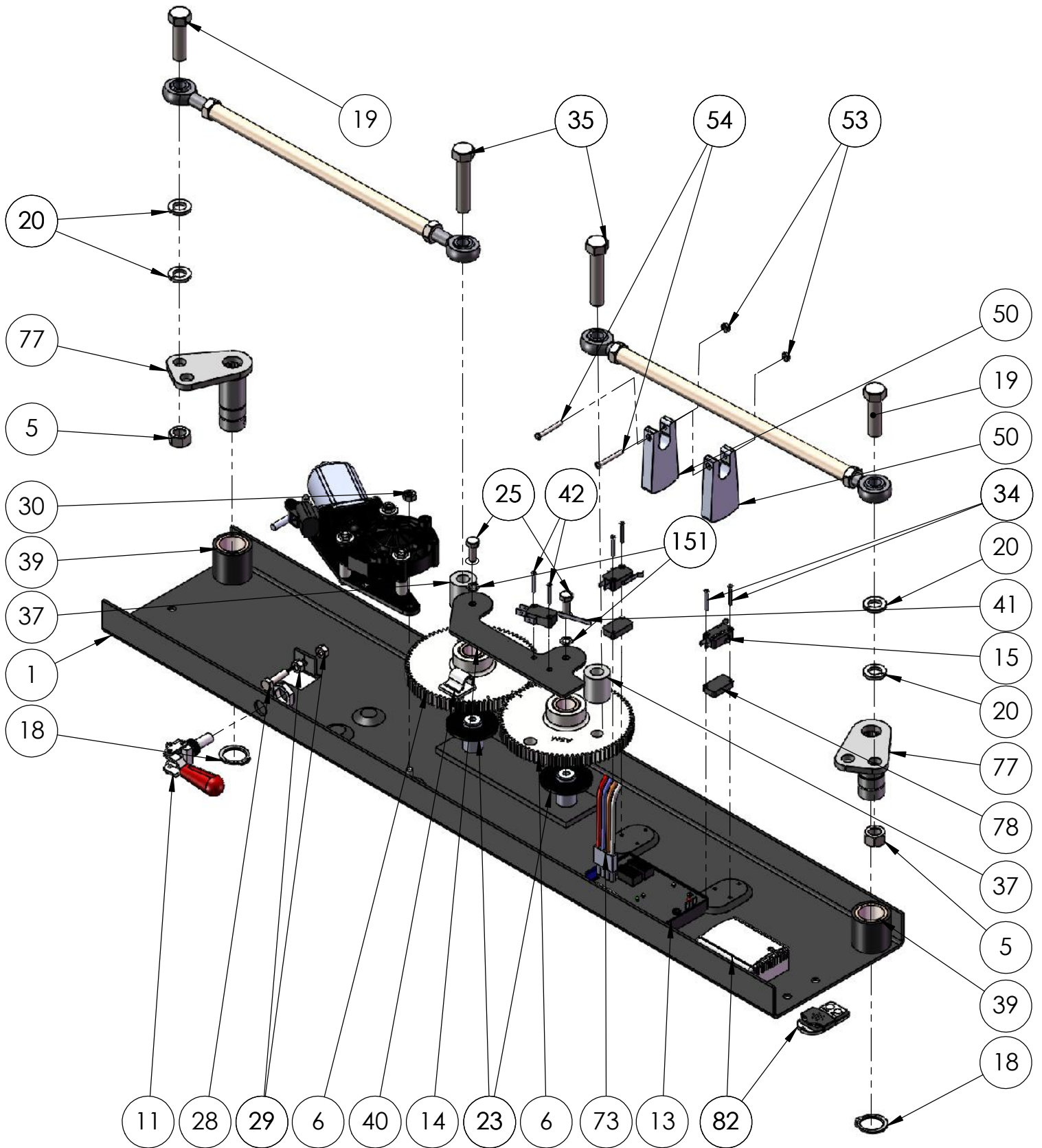


## Model: 3034, 3040

Index No.	Part No.	Description	No Req'd
1	M1486.1-24	3034 Weldment, with bushings	1
1	M1687-24	3040 Weldment, with bushings	1
4	P100319	3034 Push-pull rod assembly, forward	1
4	P100325	3040 Push-pull rod assembly, forward	1
5	P100022	Nut, 1/2-20 zinc plated	2
6	P100071	Gear, with bushing	2
7	P100319	3034 Push-pull rod assembly, aft	1
7	P100325	3040 Push-pull rod assembly, aft	1
10	P100217	Motor assembly	1
11	P100049	Manual release lever	1
12	P100198	Bolt, hanger, 1/4 flattened end x 2"	1
13	P100631	PC Board	1
14	1493	Gear stabilizer	1
15	P100058	Switch, limit	As Req'd
18	P100027	Snap ring, (1" shaft)	2
19	P100005	Bolt, 1/2-20 x 1-3/4" zinc plate grade 5	2
20	P100019	Lock washer, spring type, 1/2"	4
23	1655	Washer, ABS	2
25	P100001	Bolt, 1/4-20 x 1/2"	2
27	1517	Motor mount	1
28	P100003	Bolt, 1/4-20 x 1"	2
29	P100026	Nut, plain, 1/4-20	4
30	P100024	Nut, nylock, 1/4-20	2
34		Screw, 4-40 Round Phillips Head	As Req'd
35	P100006	Bolt, 1/2-20 x 2-1/4"	2
36	P100047	Motor	1
37	1010	Spacer, Rod End	2
38	P100018	Washer, 1/4 SAE Flat Zinc	3
39	P100041	Bushing, bronze	2
40	P100056	Wire Clip	1
41	P100060	Switch, limit, Auto Reverse Only	1
42	P100011	Screw, 4-40 x 5/8" Round Phillips Head	2
50	1654	Switch tab, ABS	As Req'd
53	P100203	Nut, Nyloc, 6-32	As Req'd
54	P100200	Screw, Phillips, Round, 6-32 x 1-1/4"	1
73	W3131	Pigtail (optional)	1
77	1980	Actuator Arm, 2 in 1	2
78	1560	Switch Spacer	As Req'd
79	K9038	Switch Tab Kit	
80	K9037	Switch Tab and Switch Kit	
82	K9122	Remote - 1 Key FOB (optional)	
149	2184	Bolt, Carriage, Square Neck	3
150	P100566	Spacer, .257" ID x .50" D x .625", Nylon	3
151	P100531	Washer, 1/4", serrated, internal	2





ITEM NO.	PART NUMBER	Description	QTY.
12	P100198	Hanger Bolt	1
27	1517	Motor Mount	1
28	P100003	Bolt, 1/4-20 x 1"	1
29	P100026	Nut, Hex, 1/4-20	1
30	P100408	Nut, Nylock, 1/4-20	4
36	P100047	Motor	1
38	P100018	Washer	3
149	2184	Carriage Bolt	3
150	P100566	Spacer, Nylon .257" ID, 1/2" OD, 5/8" Long	3

