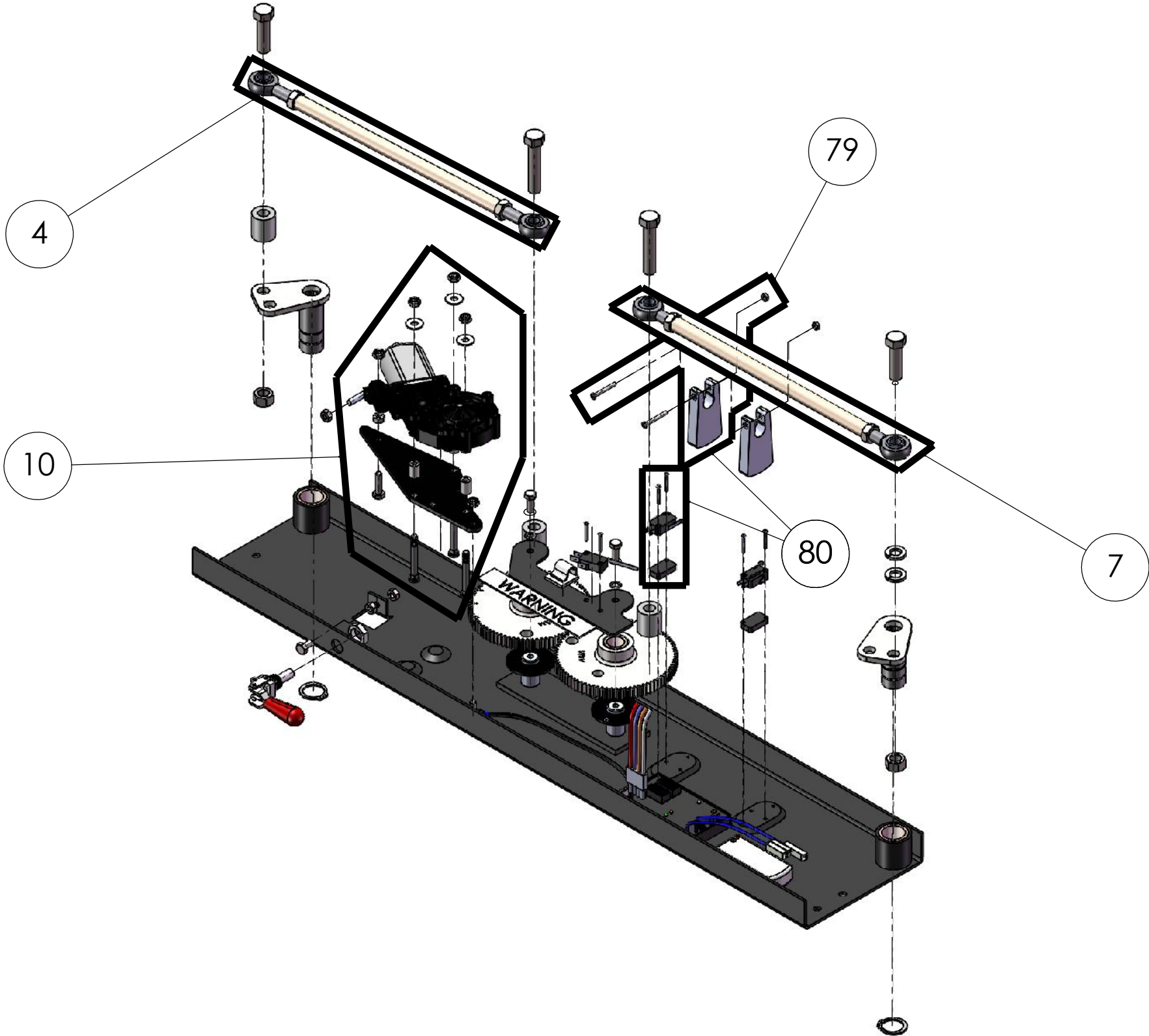
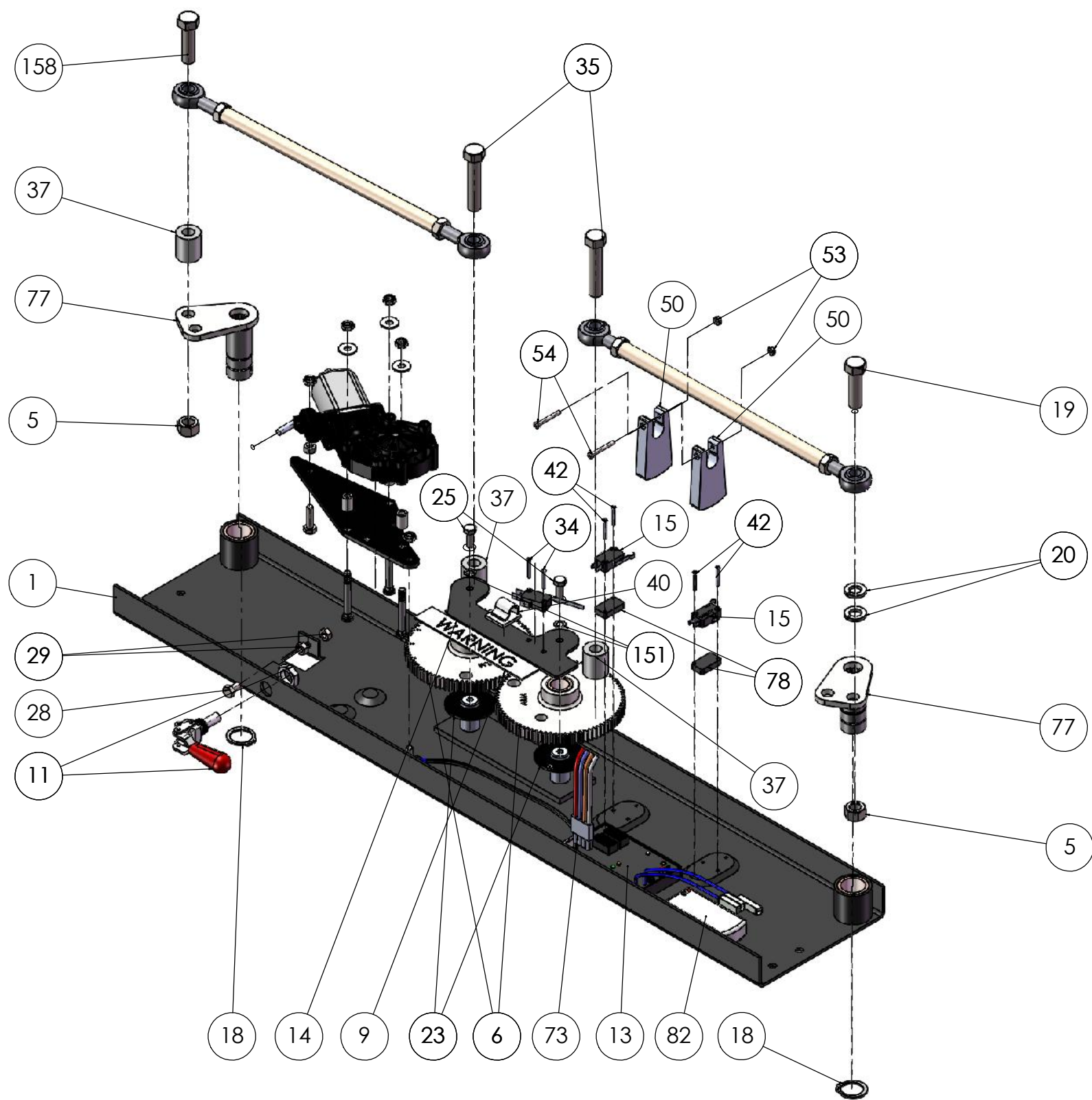


Model: 2840.1

Index No.	Part No.	Description	No Req'd
1	M1625-24	2840.1 Weldment, with bushings	1
4	P100325	2840.1 Push-pull rod assembly, forward	1
5	P100022	Nut, 1/2-20 zinc plated	2
6	P100071	Gear, with bushing	2
7	P100325	2840.1 Push-pull rod assembly, aft	1
9	P100340	Placard, warning (NOT SHOWN)	1
10	P100217	Motor assembly	1
11	P100049	Emergency release lever	1
13	K9129	PC board	1
14	1493	Gear stabilizer	1
15	P100058	Switch, limit	As Req'd
18	P100027	Snap ring, (1" shaft)	2
19	P100005	Bolt, 1/2-20 x 1-3/4" zinc plate grade 5	1
20	P100019	Lock washer, spring type, 1/2"	3
23	1655	ABS washer	2
25	P100001	Bolt, 1/4-20 x 1/2"	2
28	P100003	Bolt, 1/4-20 x 1"	2
29	P100026	Nut, plain, 1/4-20	3
30	P100408	Nut, nylock, 1/4-20	1
	P100481	Nut, nylock, 3/8-16	1
34	P100015	Screw, 4-40 x 1" Round Phillips Head	2
35	P100006	Bolt, 1/2-20 x 2-1/4"	1
37	1010	Spacer, Rod End	3
40	P100056	Wire Clip	1
41	P100060	Switch, limit, Auto Reverse Only	1
42		Screw, 4-40 x 1-1/4" Round Phillips Head	2
53	P100203	Nut, Nyloc, 6-32	As Req'd
54	P100200	Screw, Phillips, Round, 6-32 x 1-1/4"	As Req'd
61	P100062	Set Screw, 1/4"-20 (NOT SHOWN)	2
70	P100316	Bronze Bushing, 7/8" tall	2
73	W3131	Pigtail (optional)	1
77	2575	Actuator Arm, 2 in 1	2
78	1560	Switch Spacer	As Req'd
79	K9038	Switch Tab Kit	
80	K9037	Switch Tab and Switch Kit	
82	K9102	Remote - 1 Key FOB (optional)	
149	2184	Bolt, Carriage, Square Neck	3
150	P100566	Spacer, .257" ID x .5" OD x .625", Nylon	3
151	P100531	Washer, 1/4", serrated, internal	2
158	P100344	Bolt, Hex Head, 1/2-20 x 2-3/4"	1
163	1807	Switch tab, ABS (3/16" short)	As Req'd





ITEM NO.	PART NUMBER	Description	QTY.
12	P100198	Hanger Bolt	1
27	2234	Motor Mount, 3/8" Pivot	1
28	P100003	Bolt, 1/4-20 x 1"	1
29	P100026	Nut, Hex, 1/4-20	1
30	P100408	Nut, Nylock, 1/4-20	4
36	P100047	Motor	1
38	P100018	Washer	3
149	2184	Carriage Bolt	3
150	P100566	Spacer, Nylon .257" ID, 1/2" OD, 5/8" Long	3
152	P100739	3/8" OD, .257" ID, 11/64" H, aluminum spacer	1

