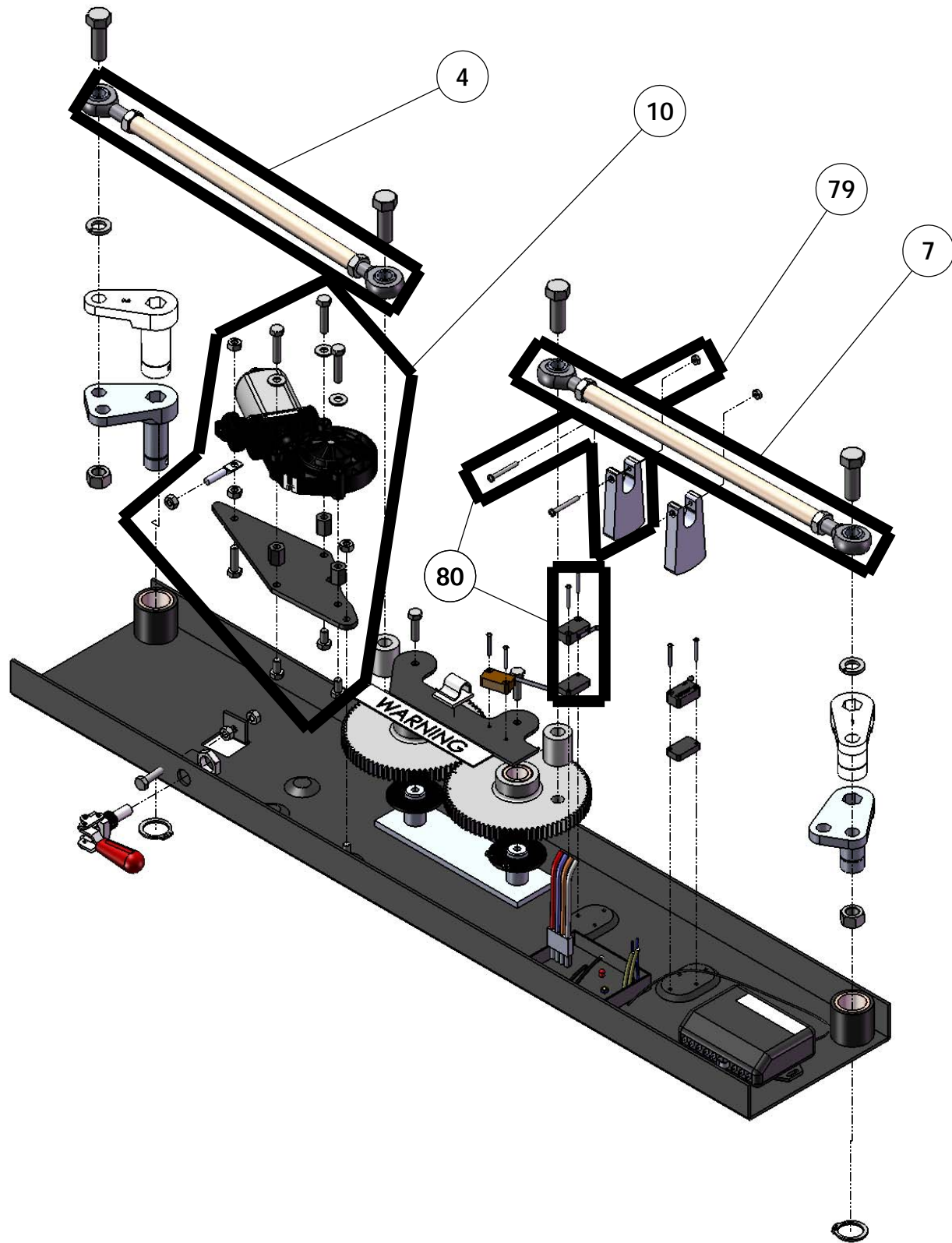
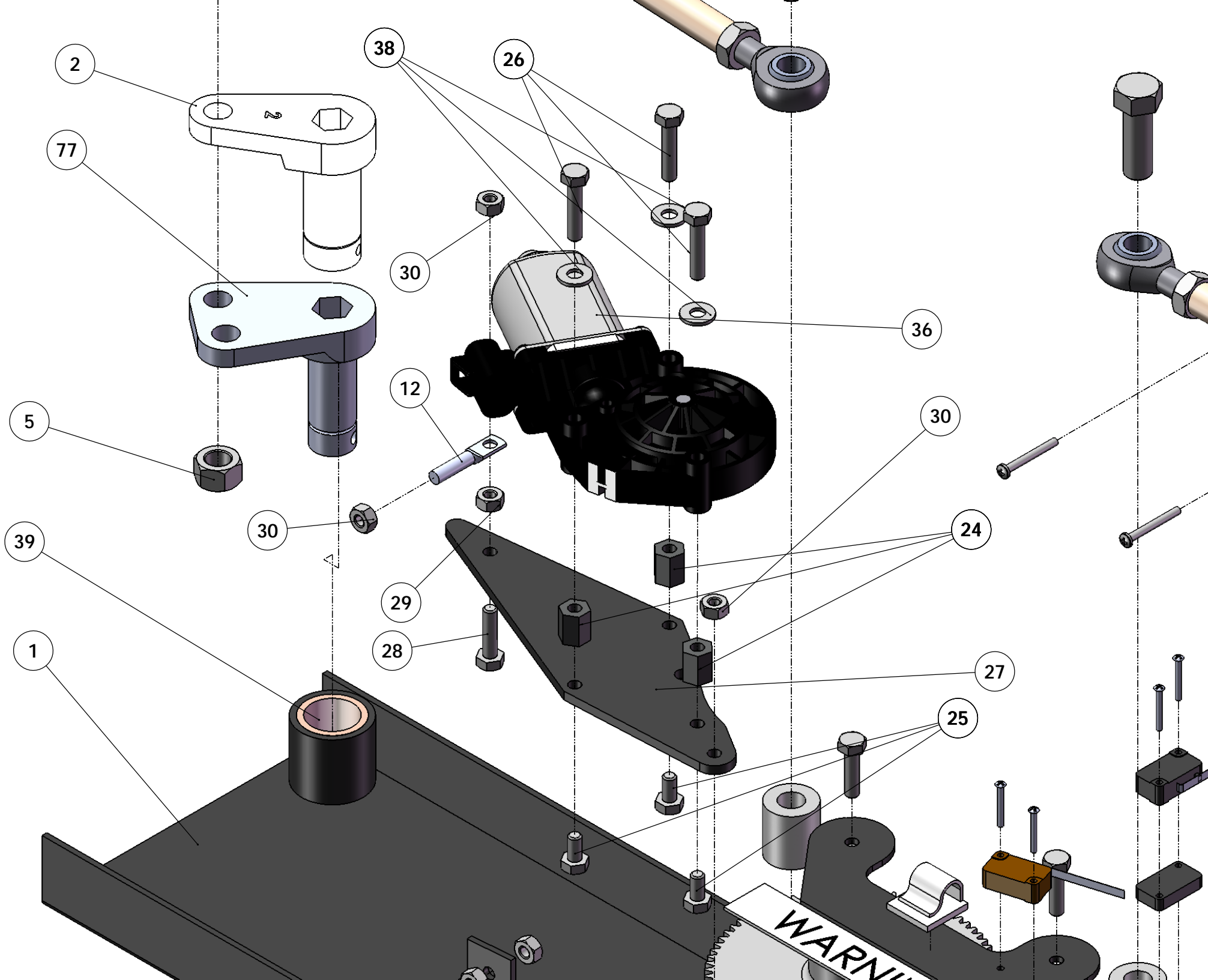


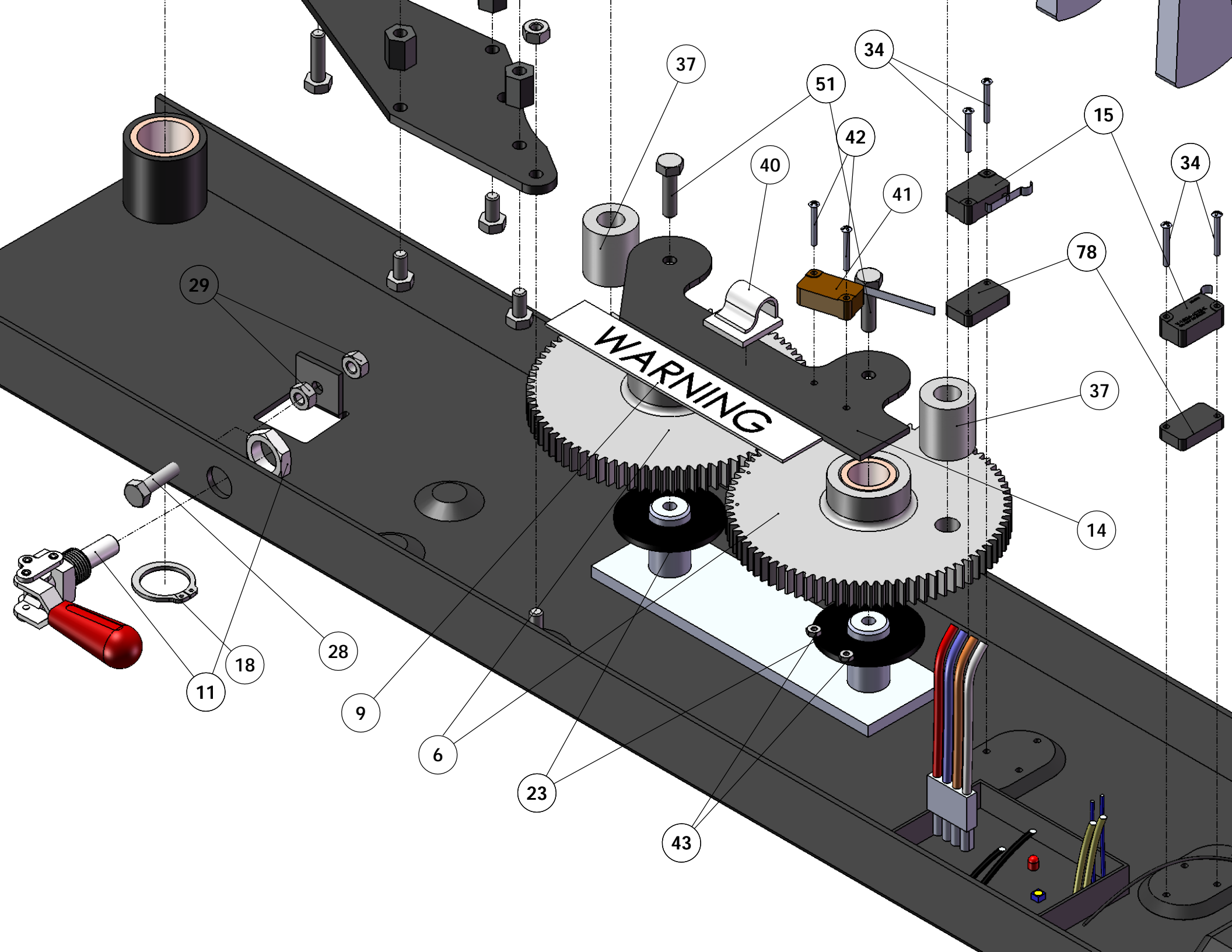
Model: 1327, 1333, 1333.3, 1340, 1346

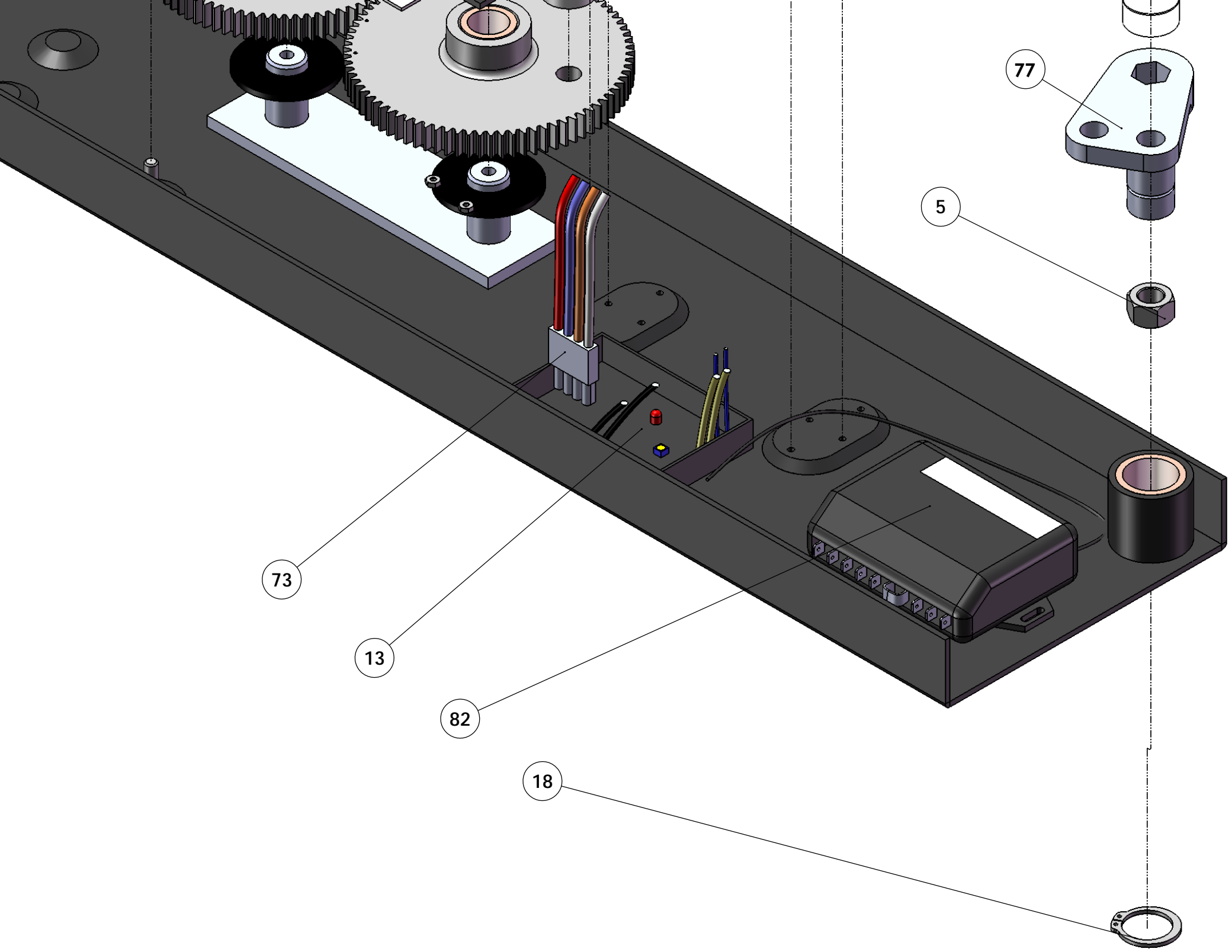
Index No.	Part No.	Description	No Req'd
1	M1523-24	1327 Base plate weldment, with bushings	1
1	M1507-24	1333 Base plate weldment, with bushings	1
1	M1628-24	1333.3 Base plate weldment, with bushings	
1	M1511-24	1340 Base plate weldment, with bushings	1
1	M1510-24	1346 Base plate weldment, with bushings	1
2	P100044	Actuator arm, forward	1
3	P100061	Rod end, female	4
4	P100318	1327 Push-pull rod assembly, forward	1
4	P100321	1333 Push-pull rod assembly, forward	1
4	P100321	1333.3 Push-pull rod assembly, forward	
4	P100325	1340 Push-pull rod assembly, forward	1
4	P100327	1346 Push-pull rod assembly, forward	1
5	P100022	Nut, 1/2-20 zinc plated	2
6	P100071	Gear, with bushing	2
7	P100318	1327 Push-pull rod assembly, aft	1
7	P100321	1333 Push-pull rod assembly, aft	1
7	P100321	1333.3 Push-pull rod assembly, aft	
7	P100325	1340 Push-pull rod assembly, aft	1
7	P100327	1346 Push-pull rod assembly, aft	1
8	P100043	Actuator arm, aft	1
9	P100340	Placard, warning	1
10	P100217	Motor assembly	1
11	P100049	Emergency release lever	1
12	P100198	Bolt, hanger, 1/4 flattened end x 2"	1
13	P100073	PC board, Solid State	1
13	P100074	PC board, Solid State, Auto Re-open	1
14	1493	Gear stabilizer (1327, 1333, 1333.3 only)	1
14	1879	Gear stabilizer, Heavy duty (1340, 1346 only)	1
15	P100058	Switch, limit	As Req'd
18	P100027	Snap ring, (1" shaft)	2
19	P100005	Bolt, 1/2-20 x 1-3/4" zinc plate grade 5	2
20	P100019	Lock washer, spring type, 1/2"	4
23	1655	Fiber washer	2
24	P100086	Motor spacer	3
25	P100001	Bolt, 1/4-20 x 1/2"	5
26	P100004	Bolt, 1/4-20 x 1-3/8"	3
27	1517	Motor mount	1
28	P100003	Bolt, 1/4-20 x 1"	2
29	P100026	Nut, plain, 1/4-20	4
30	P100024	Nut, nylock, 1/4-20	2
34		Screw, 4-40 Round Phillips Head	As Req'd
35	P100006	Bolt, 1/2-20 x 2-1/4"	2
36	P100047	Motor	1
37	1010	Spacer, Rod End	2
38	P100018	Washer, 1/4 SAE Flat Zinc	3
39	P100041	Bushing, bronze	2
40	P100056	Wire Clip	1
41	P100060	Switch, limit, Auto Reverse Only	1

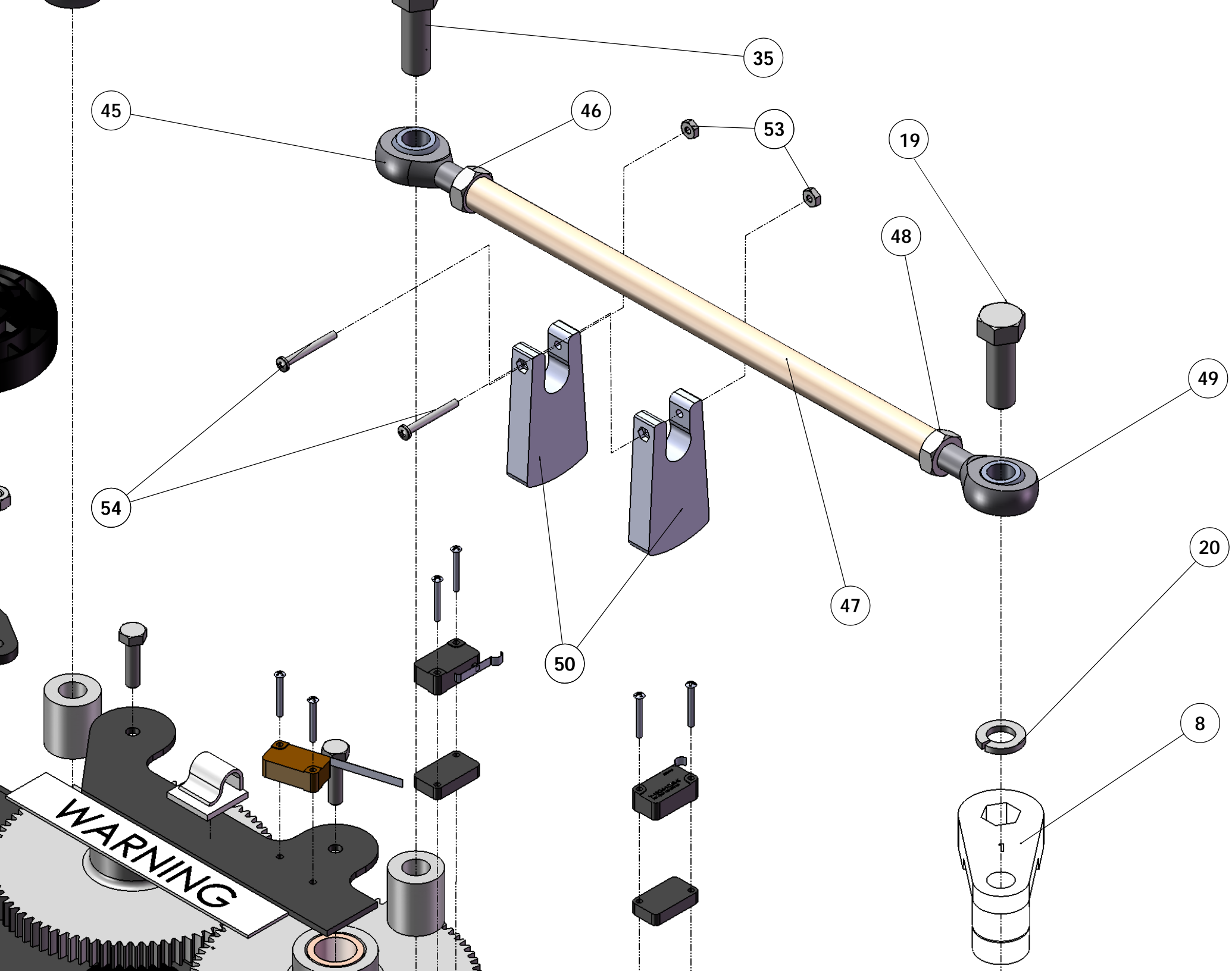
42	P100011	Screw, 4-40 x 5/8" Round Phillips Head	2
43	P100331	Nut, Nylock, 4-40	2
50	1654	Switch tab, ABS	1
51	P100007	Bolt, 1/4-20x1/2 Serrated Head	2
53	P100203	Nut, Nyloc, 6-32	2
54	P100200	Screw, Phillips, Round, 6-32 x 1-1/4"	1
61	P100062	Set Screw, 1/4"-20	2
73	W3131	Pigtail (optional)	1
77	1714	Actuator Arm, 2 in 1	2
78	1560	Switch Spacer	As Req'd
79	K9038	Switch Tab Kit	
80	K9037	Switch Tab and Switch Kit	
81	K9039	3rd Switch Kit	
82A	K9065	Remote - 1 Key FOB (optional)	











35

45

46

53

19

48

49

54

50

47

20

8

WARNING

