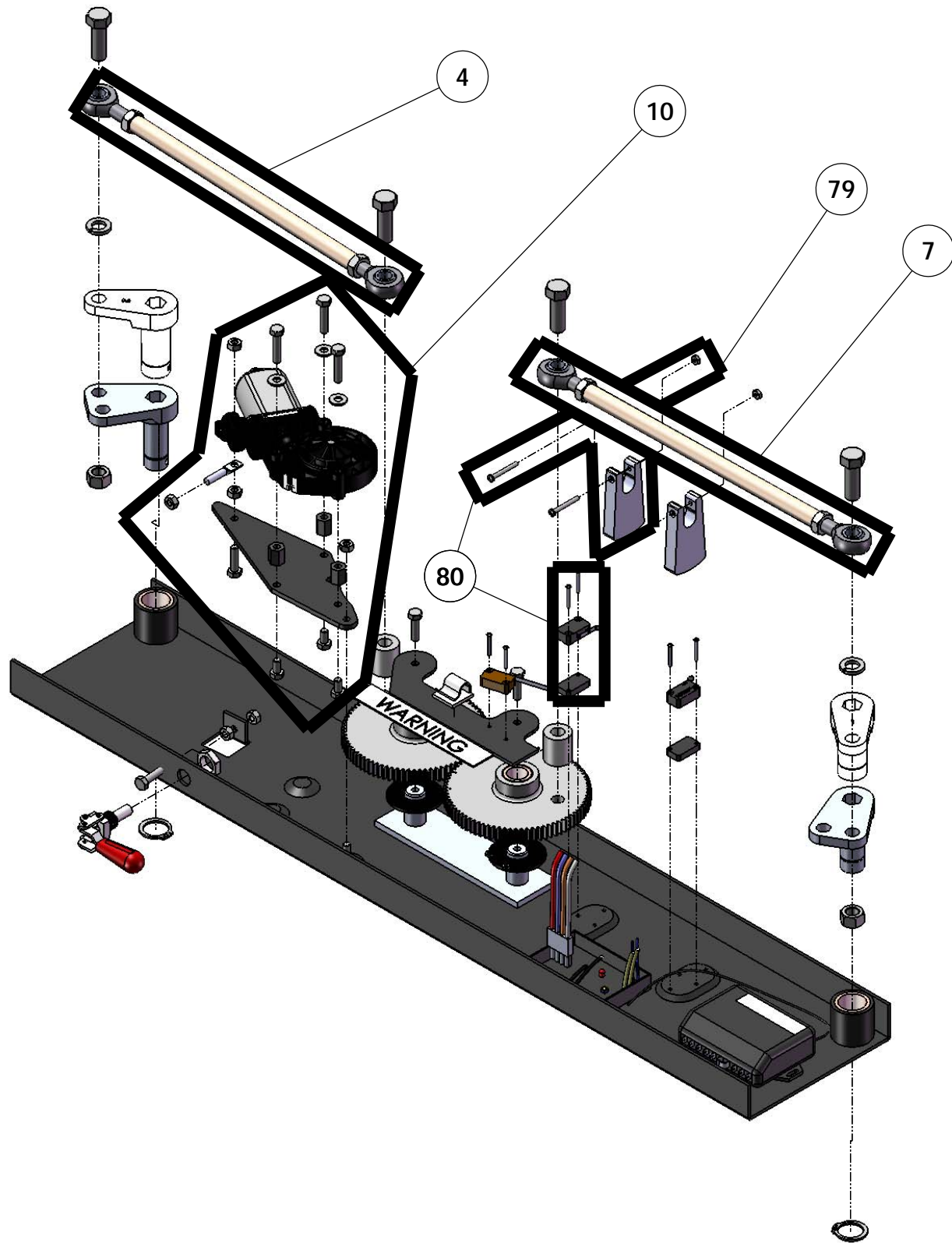
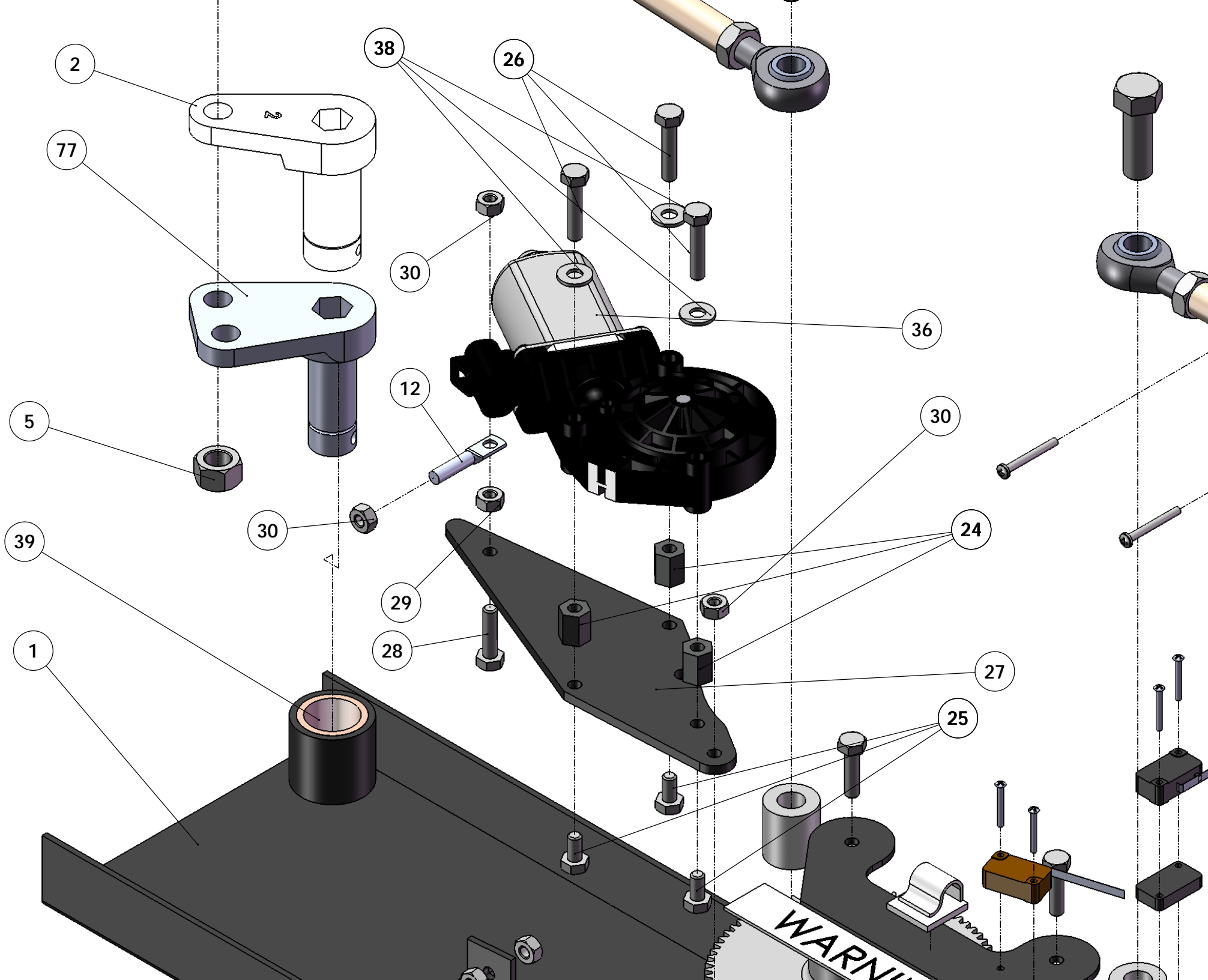


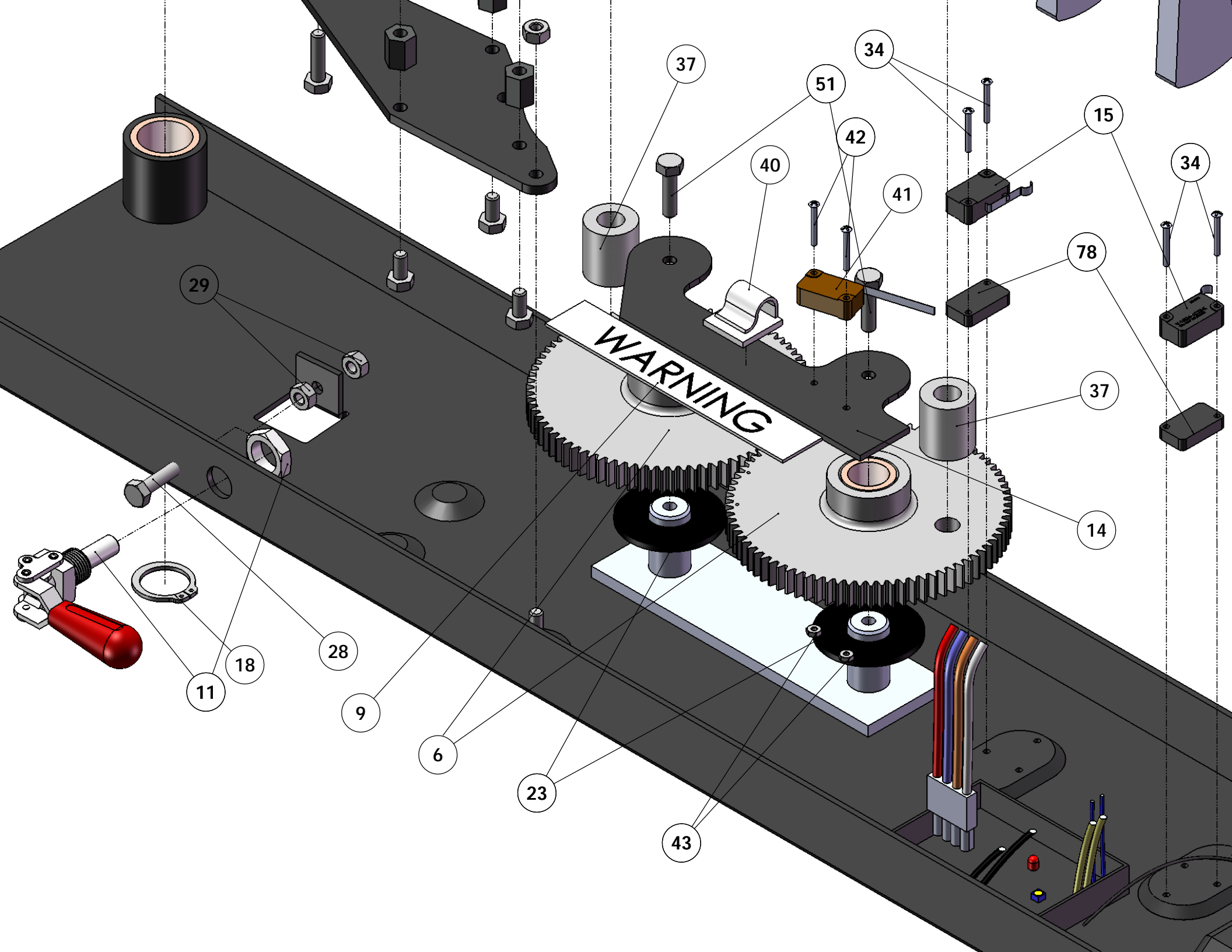
**Model: 1028,1032, 1034, 1038, 1042, 1045, 1046**

Index No.	Part No.	Description	No Req'd
1	M1486-24	1032 Base plate weldment, with bushings	1
1	M1516-24	1034 Base plate weldment, with bushings	1
1	M1589-24	1038 Base plate weldment, with bushings	1
1	M1487-24	1042 Base plate weldment, with bushings	1
1	M1488-24	1045 Base plate weldment, with bushings	1
1	M1489-24	1046 Base plate weldment, with bushings	1
2	P100044	Actuator arm, forward	1
4	P100318	1028 Push-pull rod assembly, forward	1
4	P100319	1032 Push-pull rod assembly, forward	1
4	P100321	1034 Push-pull rod assembly, forward	1
4	P100323	1038 Push-pull rod assembly, forward	1
4	P100325	1042 Push-pull rod assembly, forward	1
4		1045 Push-pull rod assembly, forward	1
4	P100327	1046 Push-pull rod assembly, forward	1
5	P100022	Nut, 1/2-20 zinc plated	2
6	P100071	Gear, with bushing	2
7	P100318	1028 Push-pull rod assembly, aft	1
7	P100319	1032 Push-pull rod assembly, aft	1
7	P100321	1034 Push-pull rod assembly, aft	1
7	P100323	1038 Push-pull rod assembly, aft	1
7	P100325	1042 Push-pull rod assembly, aft	1
7		1045 Push-pull rod assembly, aft	1
7	P100327	1046 Push-pull rod assembly, aft	1
8	P100043	Actuator arm, aft	1
9	P100340	Placard, warning	1
10	P100217	Motor assembly	1
11	P100049	Emergency release lever	1
12	P100198	Bolt, hanger, 1/4 flattened end x 2"	1
13	P100073	PC Board, Solid State	1
13	P100074	PC Board, Solid State, Auto Re-Open	1
14	1493	Gear stabilizer (1032, 1034 only)	1
14	1879	Gear stabilizer, Heavy duty (1038, 1042, 1045, 1046 only)	1
15	P100058	Switch, limit	As Req'd
18	P100027	Snap ring, (1" shaft)	2
19	P100005	Bolt, 1/2-20 x 1-3/4" zinc plate grade 5	2
20	P100019	Lock washer, spring type, 1/2"	4
23	1655	Fiber washer	2
24	P100086	Motor spacer	3
25	P100001	Bolt, 1/4-20 x 1/2"	3
26	P100004	Bolt, 1/4-20 x 1-3/8"	3
27	1517	Motor mount	1
28	P100003	Bolt, 1/4-20 x 1"	2
29	P100026	Nut, plain, 1/4-20	4
30	P100024	Nut, nylock, 1/4-20	2
34		Screw, 4-40 Round Phillips Head	As Req'd
35	P100006	Bolt, 1/2-20 x 2-1/4"	2
36	P100047	Motor	1
37	1010	Spacer, Rod End	2

38	P100018	Washer, 1/4 SAE Flat Zinc	3
39	P100041	Bushing, bronze	2
40	P100056	Wire Clip	1
41	P100060	Switch, limit, Auto Reverse Only	1
42	P100011	Screw, 4-40 x 5/8" Round Phillips Head	2
43	P100331	Nut, Nylock, 4-40	2
50	1654	Switch tab, ABS	1
51	P100007	Bolt, 1/4-20x1/2 Serrated Head	2
53	P100203	Nut, Nyloc, 6-32	2
54	P100200	Screw, Phillips, Round, 6-32 x 1-1/4"	1
61	P100062	Set Screw, 1/4"-20	2
73	W3131	Pigtail (optional)	1
77	1980	Actuator Arm, 2 in 1	2
78	1560	Switch Spacer	As Req'd
79	K9038	Switch Tab Kit	
80	K9037	Switch Tab and Switch Kit	
81	K9039	3rd Switch Kit	
82A	K9065	Remote - 1 Key FOB (optional)	
83	P100025	Button Head Socket Cap Screw 1/4-20 x 3/4" 1045 & 1046 (only)	2







29

37

34

51

15

34

40

42

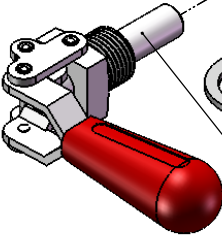
41

78

37

WARNING

14



11

18

28

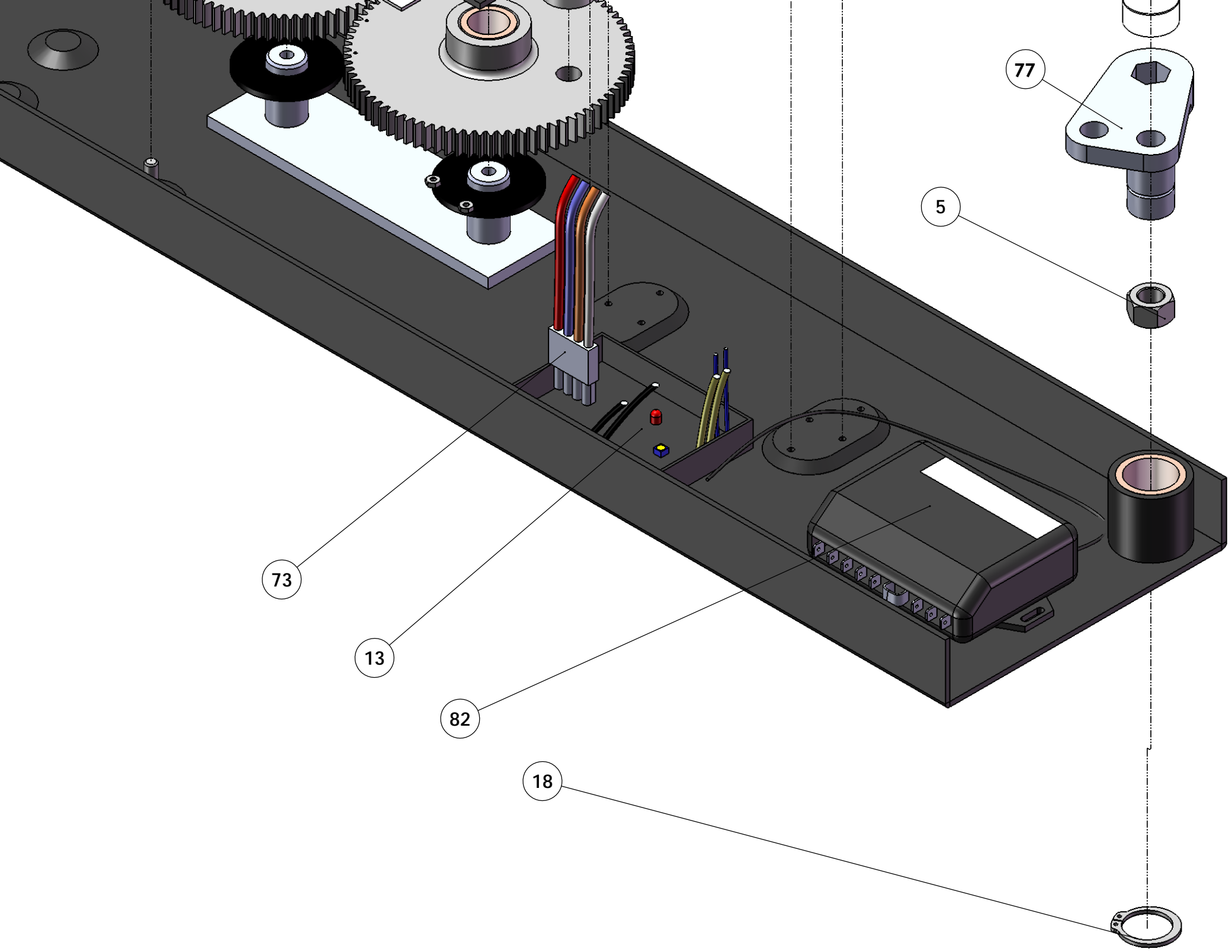
9

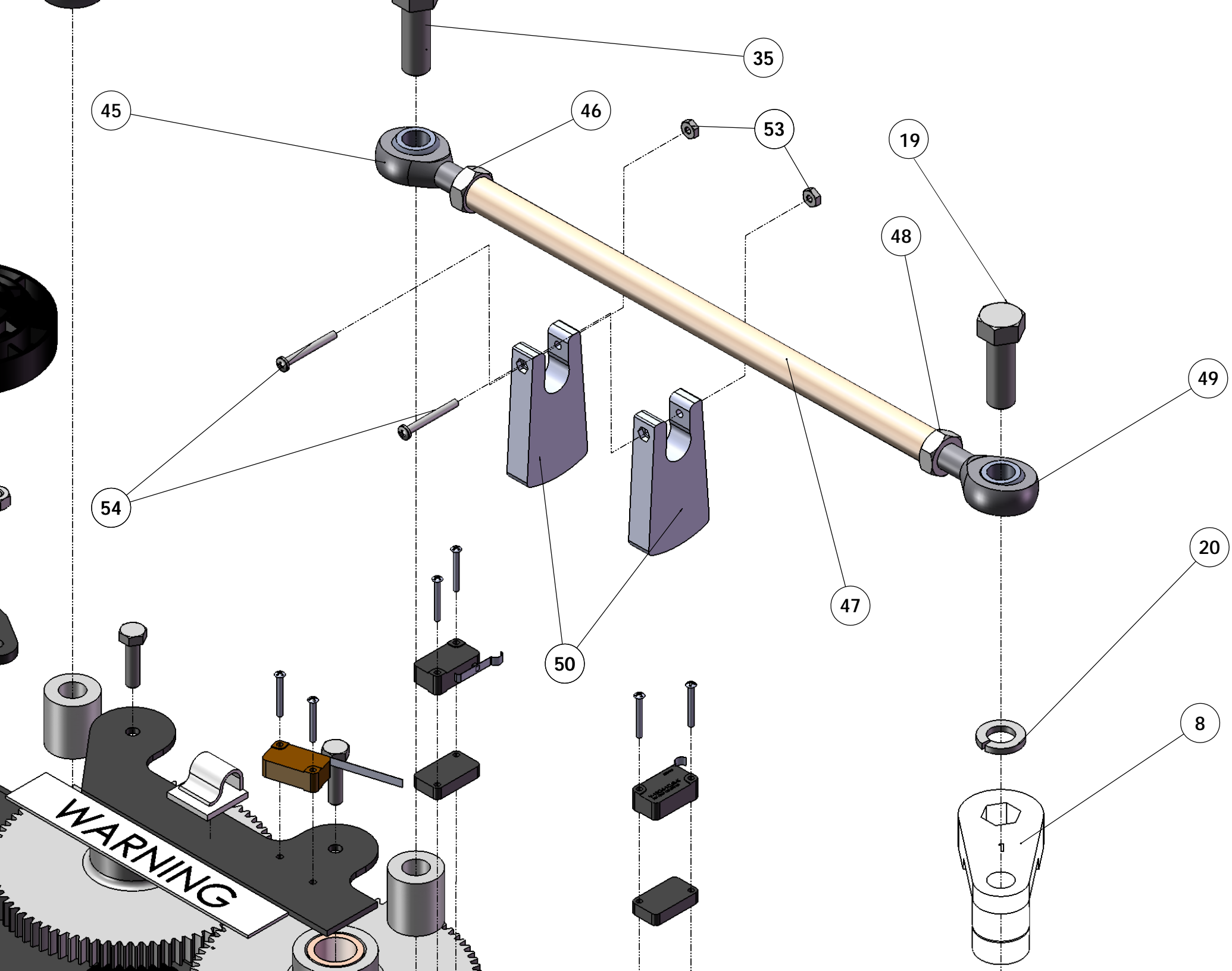
6

23

43







35

45

46

53

19

48

49

54

50

47

20

8

WARNING

